

Part No. 99-0034

# HL 1

Hand riveting tool for installation of rivet nuts from M4 to M6

Ideal for repairs or installing of small series of rivet nuts



## Scope of use:

Rivet nuts	M3	M4	M5	M6	M8	M10	M12
Aluminium, Brass		✓	✓	✓			
Steel		✓	✓	✓			
Stainless		✓	✓	✓			

Mandrels & anvils included

	✓	✓	✓				
--	---	---	---	--	--	--	--

## Technical parameters:

Model	HL 1
Weight	0.8 kg
Length	49 mm
Height	248 mm

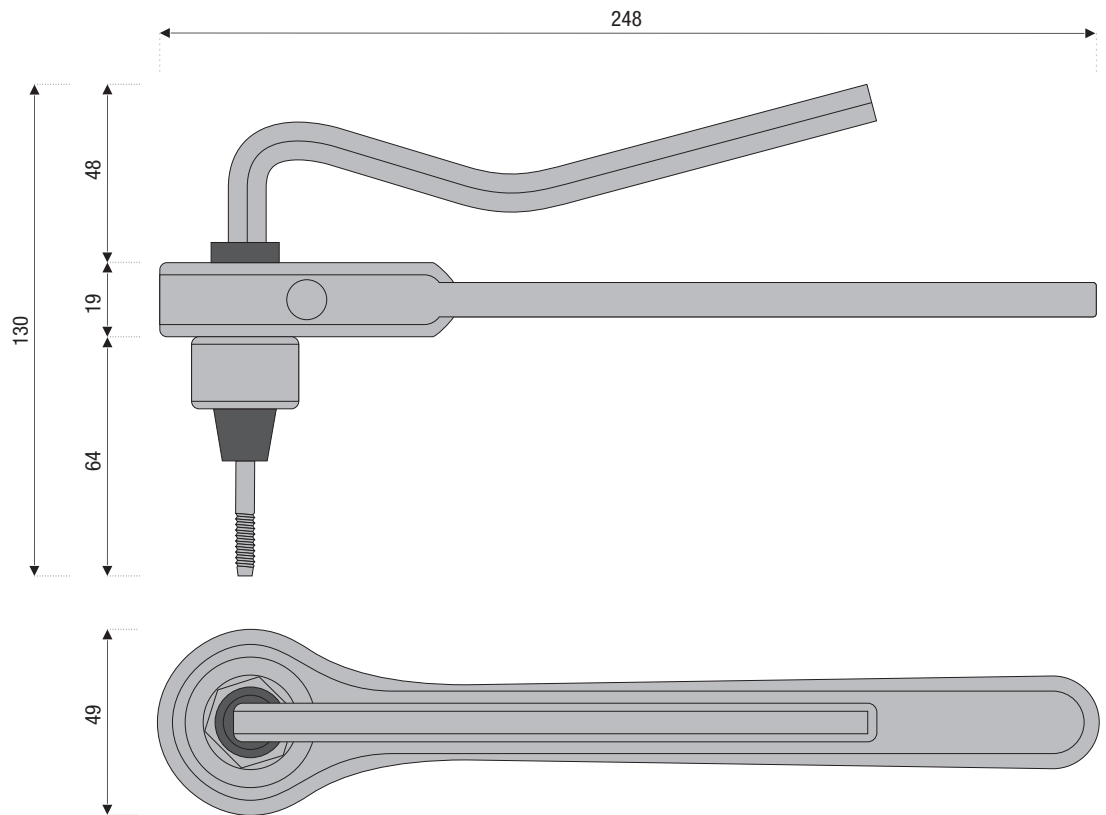
## Description:

- used to install small series of standard rivet nuts and rivet studs
- robust construction and low weight
- set of reversible-ratchet, ring spanner and Allen key
- comfortable operation
- low-maintenance



## Dimensions of tool:

# HL 1



## Standard accessories:

Description	Part No.
Mandrel M4	87-0275
Mandrel M5	87-0276
Mandrel M6	87-0277
Head M4	87-0198
Head M5	87-0199
Head M6	87-0200
Hex Socket Screw Key 9	87-0273
Ratchet Key M4–M6	87-0196

## Optional accessories:

Description	Part No.
Hand Tool for Setting Rivet Nuts from M4	99-0028
Hand Tool for Setting Rivet Nuts from M5	99-0029
Hand Tool for Setting Rivet Nuts from M6	99-0030