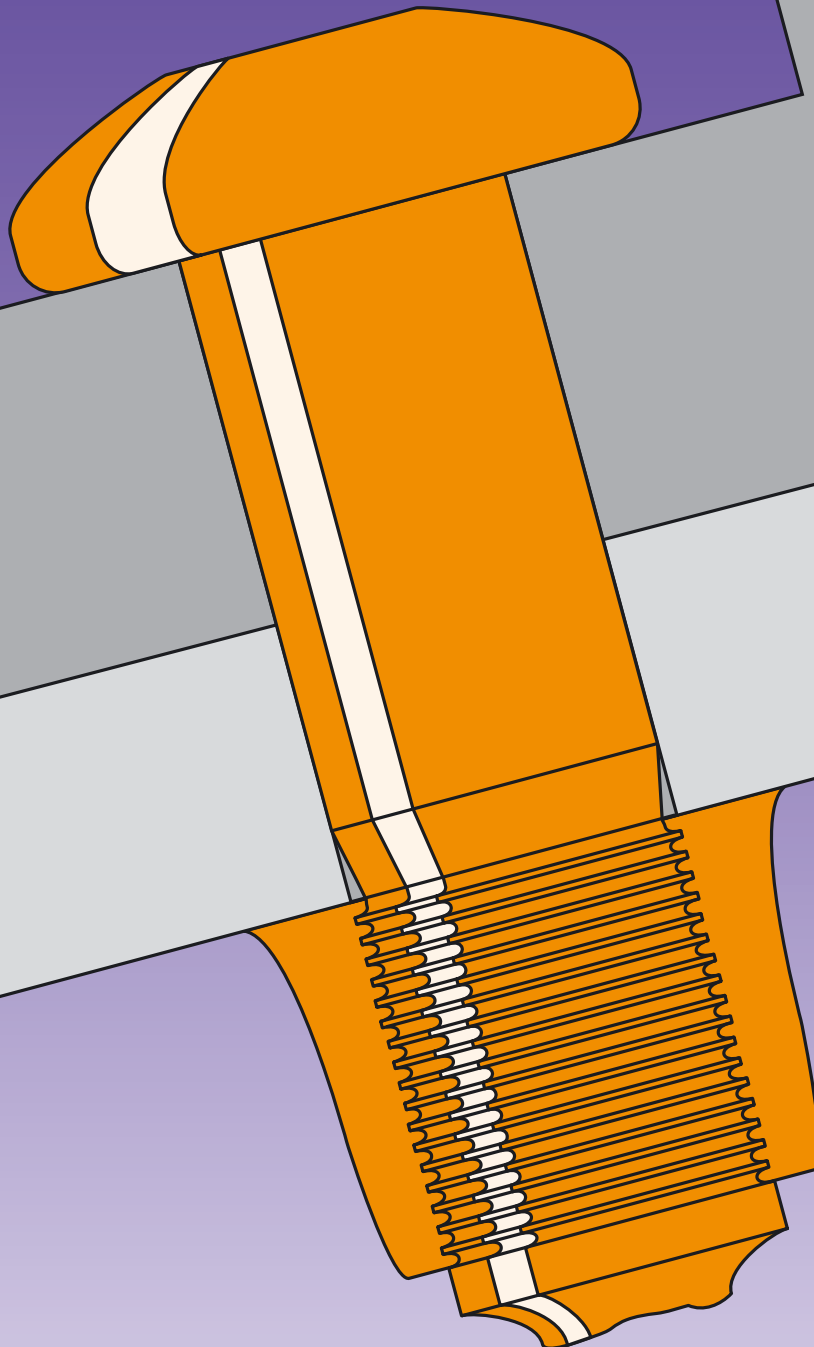


TITGEMEYER^{GTO}

YOUR SOLUTION

TIFAS[®] LockBolt HV

Large diameter pins and collars

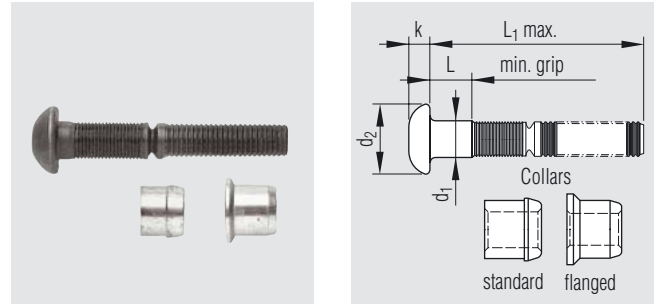


TIFAS® LockBolt HV Large diameter pins and collars

Dome head

Material

Steel (Type 8.8) EN 10263-3
untreated, black



Nominal pin \varnothing	Hole \varnothing_{max}	Grip range		Dimensions					Strength			Part No.
		Standard collar	Flange collar	L	L ₁	d ₁	d ₂	k	Shear	Tensile	Clamp	
[mm]	[mm]	[mm]	[mm]	nom [mm]	max [mm]	[mm]	nom [mm]	nom [mm]	[kN]	[kN]	[kN]	■ Pin type 8.8
12.7	14.5	6.5 – 13.0	3.0 – 10.0	6.5	85.5	12.5 – 13.1	23.5	8.0	64.0	75.8	53.5	377 300
		12.5 – 19.5	9.5 – 16.5	12.5	91.5	12.5 – 13.1	23.5	8.0	64.0	75.8	53.5	377 301
		19.0 – 26.0	16.0 – 23.0	19.0	98.0	12.5 – 13.1	23.5	8.0	64.0	75.8	53.5	377 302
		25.5 – 32.5	22.5 – 29.0	25.5	104.5	12.5 – 13.1	23.5	8.0	64.0	75.8	53.5	377 303
		32.0 – 38.5	28.5 – 35.5	32.0	111.0	12.5 – 13.1	23.5	8.0	64.0	75.8	53.5	377 304
		38.0 – 45.0	35.0 – 42.0	38.0	117.0	12.5 – 13.1	23.5	8.0	64.0	75.8	53.5	377 305
		44.5 – 51.5	41.5 – 48.0	44.5	123.5	12.5 – 13.1	23.5	8.0	64.0	75.8	53.5	377 306
		51.0 – 58.0	47.5 – 54.5	51.0	130.0	12.5 – 13.1	23.5	8.0	64.0	75.8	53.5	377 307
		57.5 – 64.0	54.0 – 61.0	57.5	136.5	12.5 – 13.1	23.5	8.0	64.0	75.8	53.5	377 308
		63.5 – 70.5	60.5 – 67.5	63.5	142.5	12.5 – 13.1	23.5	8.0	64.0	75.8	53.5	377 309
		70.0 – 77.0	67.0 – 73.5	70.0	149.0	12.5 – 13.1	23.5	8.0	64.0	75.8	53.5	377 310
		76.5 – 83.5	73.0 – 80.0	76.5	155.5	12.5 – 13.1	23.5	8.0	64.0	75.8	53.5	377 311
		83.0 – 89.5	79.5 – 86.5	83.0	162.0	12.5 – 13.1	23.5	8.0	64.0	75.8	53.5	377 312
		89.0 – 96.0	86.0 – 93.0	89.0	168.0	12.5 – 13.1	23.5	8.0	64.0	75.8	53.5	377 313
		95.5 – 102.0	92.5 – 99.0	95.5	174.5	12.5 – 13.1	23.5	8.0	64.0	75.8	53.5	377 314
101.5 – 108.5	98.5 – 105.5	101.5	180.5	12.5 – 13.1	23.5	8.0	64.0	75.8	53.5	377 315		
16.0	17.5	6.5 – 13.0	2.5 – 9.5	6.5	98.0	15.7 – 16.3	29.0	10.0	100.1	120.5	85.4	377 400
		12.5 – 19.5	9.0 – 15.5	12.5	104.0	15.7 – 16.3	29.0	10.0	100.1	120.5	85.4	377 401
		19.0 – 26.0	15.0 – 22.0	19.0	110.5	15.7 – 16.3	29.0	10.0	100.1	120.5	85.4	377 402
		25.5 – 32.5	21.5 – 28.5	25.5	117.0	15.7 – 16.3	29.0	10.0	100.1	120.5	85.4	377 403
		32.0 – 38.5	28.0 – 35.0	32.0	123.5	15.7 – 16.3	29.0	10.0	100.1	120.5	85.4	377 404
		38.0 – 45.0	34.5 – 41.0	38.0	129.5	15.7 – 16.3	29.0	10.0	100.1	120.5	85.4	377 405
		44.5 – 51.5	40.5 – 47.5	44.5	136.0	15.7 – 16.3	29.0	10.0	100.1	120.5	85.4	377 406
		51.0 – 58.0	47.0 – 54.0	51.0	142.5	15.7 – 16.3	29.0	10.0	100.1	120.5	85.4	377 407
		57.5 – 64.0	53.5 – 60.0	57.5	149.0	15.7 – 16.3	29.0	10.0	100.1	120.5	85.4	377 408
		63.5 – 70.5	59.5 – 66.5	63.5	155.0	15.7 – 16.3	29.0	10.0	100.1	120.5	85.4	377 409
		70.0 – 77.0	66.0 – 73.0	70.0	161.5	15.7 – 16.3	29.0	10.0	100.1	120.5	85.4	377 410
		76.5 – 83.5	72.5 – 79.5	76.5	168.0	15.7 – 16.3	29.0	10.0	100.1	120.5	85.4	377 411
		83.0 – 89.5	79.0 – 85.5	83.0	174.5	15.7 – 16.3	29.0	10.0	100.1	120.5	85.4	377 412
		89.0 – 96.0	85.0 – 92.0	89.0	180.5	15.7 – 16.3	29.0	10.0	100.1	120.5	85.4	377 413
		95.5 – 102.0	91.5 – 98.0	95.5	187.0	15.7 – 16.3	29.0	10.0	100.1	120.5	85.4	377 414
101.5 – 108.5	97.5 – 104.5	101.5	193.0	15.7 – 16.3	29.0	10.0	100.1	120.5	85.4	377 415		

Continued on next page

We reserve the right to amend specifications at any time.

TIFAS® LockBolt HV Large diameter pins and collars

Continued

Nominal pin ø [mm]	Hole ø _{max} [mm]	Grip range		Dimensions					Strength			Part No.
		Standard collar [mm]	Flange collar [mm]	L _{nom} [mm]	L _{1 max} [mm]	d ₁ [mm]	d _{2 nom} [mm]	k _{nom} [mm]	Shear [kN]	Tensile [kN]	Clamp [kN]	
19.0	21.0	6.5 – 13.0	2.0 – 8.5	6.5	110.5	18.8 – 19.5	35.0	12.0	144.2	178.4	126.3	377 500
		12.5 – 19.5	8.0 – 15.0	12.5	116.5	18.8 – 19.5	35.0	12.0	144.2	178.4	126.3	377 501
		19.0 – 26.0	14.5 – 21.5	19.0	123.0	18.8 – 19.5	35.0	12.0	144.2	178.4	126.3	377 502
		25.5 – 32.5	21.0 – 27.5	25.5	129.5	18.8 – 19.5	35.0	12.0	144.2	178.4	126.3	377 503
		32.0 – 38.5	27.0 – 34.0	32.0	136.0	18.8 – 19.5	35.0	12.0	144.2	178.4	126.3	377 504
		38.0 – 45.0	33.5 – 40.5	38.0	142.0	18.8 – 19.5	35.0	12.0	144.2	178.4	126.3	377 505
		44.5 – 51.5	40.0 – 47.0	44.5	148.5	18.8 – 19.5	35.0	12.0	144.2	178.4	126.3	377 506
		51.0 – 58.0	46.5 – 53.0	51.0	155.0	18.8 – 19.5	35.0	12.0	144.2	178.4	126.3	377 507
		57.5 – 64.0	52.5 – 59.5	57.5	161.5	18.8 – 19.5	35.0	12.0	144.2	178.4	126.3	377 508
		63.5 – 70.5	59.0 – 66.0	63.5	167.5	18.8 – 19.5	35.0	12.0	144.2	178.4	126.3	377 509
		70.0 – 77.0	65.5 – 72.5	70.0	174.0	18.8 – 19.5	35.0	12.0	144.2	178.4	126.3	377 510
		76.5 – 83.5	72.0 – 78.5	76.5	180.5	18.8 – 19.5	35.0	12.0	144.2	178.4	126.3	377 511
		83.0 – 89.5	78.0 – 85.0	83.0	187.0	18.8 – 19.5	35.0	12.0	144.2	178.4	126.3	377 512
		89.0 – 96.0	84.5 – 91.5	89.0	193.0	18.8 – 19.5	35.0	12.0	144.2	178.4	126.3	377 513
		95.5 – 102.0	91.0 – 97.5	95.5	199.5	18.8 – 19.5	35.0	12.0	144.2	178.4	126.3	377 514
101.5 – 108.5	97.0 – 104.0	101.5	205.5	18.8 – 19.5	35.0	12.0	144.2	178.4	126.3	377 515		
22.2	24.0	12.5 – 19.5	7.0 – 14.0	12.5	124.0	22.0 – 22.7	40.5	14.0	193.1	246.7	174.6	377 601
		19.0 – 26.0	13.5 – 20.5	19.0	130.5	22.0 – 22.7	40.5	14.0	193.1	246.7	174.6	377 602
		25.5 – 32.5	20.0 – 27.0	25.5	137.0	22.0 – 22.7	40.5	14.0	193.1	246.7	174.6	377 603
		32.0 – 38.5	26.5 – 33.5	32.0	143.5	22.0 – 22.7	40.5	14.0	193.1	246.7	174.6	377 604
		38.0 – 45.0	33.0 – 39.5	38.0	149.5	22.0 – 22.7	40.5	14.0	193.1	246.7	174.6	377 605
		44.5 – 51.5	39.0 – 46.0	44.5	156.0	22.0 – 22.7	40.5	14.0	193.1	246.7	174.6	377 606
		51.0 – 58.0	45.5 – 52.5	51.0	162.5	22.0 – 22.7	40.5	14.0	193.1	246.7	174.6	377 607
		57.5 – 64.0	52.0 – 58.5	57.5	169.0	22.0 – 22.7	40.5	14.0	193.1	246.7	174.6	377 608
		63.5 – 70.5	58.0 – 65.0	63.5	175.0	22.0 – 22.7	40.5	14.0	193.1	246.7	174.6	377 609
		70.0 – 77.0	64.5 – 71.5	70.0	181.5	22.0 – 22.7	40.5	14.0	193.1	246.7	174.6	377 610
		76.5 – 83.5	71.0 – 78.0	76.5	188.0	22.0 – 22.7	40.5	14.0	193.1	246.7	174.6	377 611
		83.0 – 89.5	77.5 – 84.0	83.0	194.5	22.0 – 22.7	40.5	14.0	193.1	246.7	174.6	377 612
		89.0 – 96.0	83.5 – 90.5	89.0	200.5	22.0 – 22.7	40.5	14.0	193.1	246.7	174.6	377 613
		95.5 – 102.0	90.0 – 97.0	95.5	207.0	22.0 – 22.7	40.5	14.0	193.1	246.7	174.6	377 614
		101.5 – 108.5	96.5 – 103.0	101.5	213.0	22.0 – 22.7	40.5	14.0	193.1	246.7	174.6	377 615
25.4	27.5	12.5 – 19.5	6.5 – 13.5	12.5	141.0	25.1 – 26.0	46.5	15.5	251.4	323.5	229.1	377 701
		19.0 – 26.0	13.0 – 20.0	19.0	147.5	25.1 – 26.0	46.5	15.5	251.4	323.5	229.1	377 702
		25.5 – 32.5	19.5 – 26.5	25.5	154.0	25.1 – 26.0	46.5	15.5	251.4	323.5	229.1	377 703
		32.0 – 38.5	26.0 – 32.5	32.0	160.5	25.1 – 26.0	46.5	15.5	251.4	323.5	229.1	377 704
		38.0 – 45.0	32.0 – 39.0	38.0	166.5	25.1 – 26.0	46.5	15.5	251.4	323.5	229.1	377 705
		44.5 – 51.5	38.5 – 45.5	44.5	173.0	25.1 – 26.0	46.5	15.5	251.4	323.5	229.1	377 706
		51.0 – 58.0	45.0 – 52.0	51.0	179.5	25.1 – 26.0	46.5	15.5	251.4	323.5	229.1	377 707
		57.5 – 64.0	51.5 – 58.0	57.5	186.0	25.1 – 26.0	46.5	15.5	251.4	323.5	229.1	377 708
		63.5 – 70.5	57.5 – 64.5	63.5	192.0	25.1 – 26.0	46.5	15.5	251.4	323.5	229.1	377 709
		70.0 – 77.0	64.0 – 71.0	70.0	198.5	25.1 – 26.0	46.5	15.5	251.4	323.5	229.1	377 710
		76.5 – 83.5	70.5 – 77.0	76.5	205.0	25.1 – 26.0	46.5	15.5	251.4	323.5	229.1	377 711
		83.0 – 89.5	76.5 – 83.5	83.0	211.5	25.1 – 26.0	46.5	15.5	251.4	323.5	229.1	377 712
		89.0 – 96.0	83.0 – 90.0	89.0	217.5	25.1 – 26.0	46.5	15.5	251.4	323.5	229.1	377 713
		95.5 – 102.0	89.5 – 96.0	95.5	224.0	25.1 – 26.0	46.5	15.5	251.4	323.5	229.1	377 714
		101.5 – 108.5	95.5 – 102.5	101.5	230.5	25.1 – 26.0	46.5	15.5	251.4	323.5	229.1	377 715

For technical data see collar table. Order collars separately.

HV Lockbolts in steel Type 10.9, in stainless steel and aluminium, zinc on request.

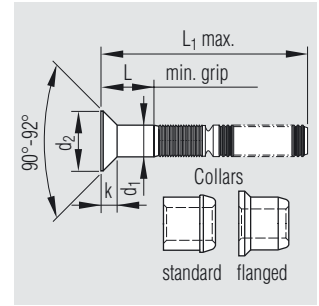
We reserve the right to amend specifications at any time.

TIFAS® LockBolt HV Large diameter pins and collars

Countersunk head 90°

Material

Steel (Type 8.8) EN 10263-3
untreated, black



Nominal pin \varnothing	Hole \varnothing_{max}	Grip range		Dimensions					Strength			Part No.
		Standard collar	Flange collar	L nom	L ₁ max	d ₁	d ₂ nom	k nom	Shear	Tensile	Clamp	
[mm]	[mm]	[mm]	[mm]	[mm]	[mm]	[mm]	[mm]	[mm]	[kN]	[kN]	[kN]	■ Pin type 8.8
12.7	14.5	12.5 – 19.5	9.5 – 16.5	12.5	91.5	12.5 – 13.1	23.0	6.3	64.0	75.8	53.5	377 341
		19.0 – 26.0	16.0 – 23.0	19.0	98.0	12.5 – 13.1	23.0	6.3	64.0	75.8	53.5	377 342
		25.5 – 32.5	22.5 – 29.0	25.5	104.5	12.5 – 13.1	23.0	6.3	64.0	75.8	53.5	377 343
		32.0 – 38.5	28.5 – 35.5	32.0	111.0	12.5 – 13.1	23.0	6.3	64.0	75.8	53.5	377 344
		38.0 – 45.0	35.0 – 42.0	38.0	117.0	12.5 – 13.1	23.0	6.3	64.0	75.8	53.5	377 345
		44.5 – 51.5	41.5 – 48.0	44.5	123.5	12.5 – 13.1	23.0	6.3	64.0	75.8	53.5	377 346
		51.0 – 58.0	47.5 – 54.5	51.0	130.0	12.5 – 13.1	23.0	6.3	64.0	75.8	53.5	377 347
		57.5 – 64.0	54.0 – 61.0	57.5	136.5	12.5 – 13.1	23.0	6.3	64.0	75.8	53.5	377 348
		63.5 – 70.5	60.5 – 67.5	63.5	142.5	12.5 – 13.1	23.0	6.3	64.0	75.8	53.5	377 349
		70.0 – 77.0	67.0 – 73.5	70.0	149.0	12.5 – 13.1	23.0	6.3	64.0	75.8	53.5	377 350
		76.5 – 83.5	73.0 – 80.0	76.5	155.5	12.5 – 13.1	23.0	6.3	64.0	75.8	53.5	377 351
		83.0 – 89.5	79.5 – 86.5	83.0	162.0	12.5 – 13.1	23.0	6.3	64.0	75.8	53.5	377 352
		89.0 – 96.0	86.0 – 93.0	89.0	168.0	12.5 – 13.1	23.0	6.3	64.0	75.8	53.5	377 353
		95.5 – 102.0	92.5 – 99.0	95.5	174.5	12.5 – 13.1	23.0	6.3	64.0	75.8	53.5	377 354
101.5 – 108.5	98.5 – 105.5	101.5	180.5	12.5 – 13.1	23.0	6.3	64.0	75.8	53.5	377 355		
16.0	17.5	12.5 – 19.5	9.0 – 15.5	12.5	104.0	15.7 – 16.3	29.5	7.9	100.1	120.5	85.4	377 441
		19.0 – 26.0	15.0 – 22.0	19.0	110.5	15.7 – 16.3	29.5	7.9	100.1	120.5	85.4	377 442
		25.5 – 32.5	21.5 – 28.5	25.5	117.0	15.7 – 16.3	29.5	7.9	100.1	120.5	85.4	377 443
		32.0 – 38.5	28.0 – 35.0	32.0	123.5	15.7 – 16.3	29.5	7.9	100.1	120.5	85.4	377 444
		38.0 – 45.0	34.5 – 41.0	38.0	129.5	15.7 – 16.3	29.5	7.9	100.1	120.5	85.4	377 445
		44.5 – 51.5	40.5 – 47.5	44.5	136.0	15.7 – 16.3	29.5	7.9	100.1	120.5	85.4	377 446
		51.0 – 58.0	47.0 – 54.0	51.0	142.5	15.7 – 16.3	29.5	7.9	100.1	120.5	85.4	377 447
		57.5 – 64.0	53.5 – 60.0	57.5	149.0	15.7 – 16.3	29.5	7.9	100.1	120.5	85.4	377 448
		63.5 – 70.5	59.5 – 66.5	63.5	155.0	15.7 – 16.3	29.5	7.9	100.1	120.5	85.4	377 449
		70.0 – 77.0	66.0 – 73.0	70.0	161.5	15.7 – 16.3	29.5	7.9	100.1	120.5	85.4	377 450
		76.5 – 83.5	72.5 – 79.5	76.5	168.0	15.7 – 16.3	29.5	7.9	100.1	120.5	85.4	377 451
		83.0 – 89.5	79.0 – 85.5	83.0	174.5	15.7 – 16.3	29.5	7.9	100.1	120.5	85.4	377 452
		89.0 – 96.0	85.0 – 92.0	89.0	180.5	15.7 – 16.3	29.5	7.9	100.1	120.5	85.4	377 453
		95.5 – 102.0	91.5 – 98.0	95.5	187.0	15.7 – 16.3	29.5	7.9	100.1	120.5	85.4	377 454
101.5 – 108.5	97.5 – 104.5	101.5	193.0	15.7 – 16.3	29.5	7.9	100.1	120.5	85.4	377 455		

Continued on next page

For technical data see collar table. Order collars separately.

We reserve the right to amend specifications at any time.

TIFAS® LockBolt HV Large diameter pins and collars

Continued

Nominal pin Ø [mm]	Hole Ø max [mm]	Grip range		Dimensions					Strength			Part No.
		Standard collar [mm]	Flange collar [mm]	L nom [mm]	L ₁ max [mm]	d ₁ [mm]	d ₂ nom [mm]	k nom [mm]	Shear [kN]	Tensile [kN]	Clamp [kN]	
19.0	21.0	12.5 – 19.5	8.0 – 15.0	12.5	116.5	18.8 – 19.5	35.0	9.5	144.2	178.4	126.3	377 541
		19.0 – 26.0	14.5 – 21.5	19.0	123.0	18.8 – 19.5	35.0	9.5	144.2	178.4	126.3	377 542
		25.5 – 32.5	21.0 – 27.5	25.5	129.5	18.8 – 19.5	35.0	9.5	144.2	178.4	126.3	377 543
		32.0 – 38.5	27.0 – 34.0	32.0	136.0	18.8 – 19.5	35.0	9.5	144.2	178.4	126.3	377 544
		38.0 – 45.0	33.5 – 40.5	38.0	142.0	18.8 – 19.5	35.0	9.5	144.2	178.4	126.3	377 545
		44.5 – 51.5	40.0 – 47.0	44.5	148.5	18.8 – 19.5	35.0	9.5	144.2	178.4	126.3	377 546
		51.0 – 58.0	46.5 – 53.0	51.0	155.0	18.8 – 19.5	35.0	9.5	144.2	178.4	126.3	377 547
		57.5 – 64.0	52.5 – 59.5	57.5	161.5	18.8 – 19.5	35.0	9.5	144.2	178.4	126.3	377 548
		63.5 – 70.5	59.0 – 66.0	63.5	167.5	18.8 – 19.5	35.0	9.5	144.2	178.4	126.3	377 549
		70.0 – 77.0	65.5 – 72.5	70.0	174.0	18.8 – 19.5	35.0	9.5	144.2	178.4	126.3	377 550
		76.5 – 83.5	72.0 – 78.5	76.5	180.5	18.8 – 19.5	35.0	9.5	144.2	178.4	126.3	377 551
		83.0 – 89.5	78.0 – 85.0	83.0	187.0	18.8 – 19.5	35.0	9.5	144.2	178.4	126.3	377 552
		89.0 – 96.0	84.5 – 91.5	89.0	193.0	18.8 – 19.5	35.0	9.5	144.2	178.4	126.3	377 553
		95.5 – 102.0	91.0 – 97.5	95.5	199.5	18.8 – 19.5	35.0	9.5	144.2	178.4	126.3	377 554
		101.5 – 108.5	97.0 – 104.0	101.5	205.5	18.8 – 19.5	35.0	9.5	144.2	178.4	126.3	377 555
22.2	24.0	19.0 – 26.0	13.5 – 20.5	19.0	130.5	22.0 – 22.7	40.5	11.0	193.1	246.7	174.6	377 642
		25.5 – 32.5	20.0 – 27.0	25.5	137.0	22.0 – 22.7	40.5	11.0	193.1	246.7	174.6	377 643
		32.0 – 38.5	26.5 – 33.5	32.0	143.5	22.0 – 22.7	40.5	11.0	193.1	246.7	174.6	377 644
		38.0 – 45.0	33.0 – 39.5	38.0	149.5	22.0 – 22.7	40.5	11.0	193.1	246.7	174.6	377 645
		44.5 – 51.5	39.0 – 46.0	44.5	156.0	22.0 – 22.7	40.5	11.0	193.1	246.7	174.6	377 646
		51.0 – 58.0	45.5 – 52.5	51.0	162.5	22.0 – 22.7	40.5	11.0	193.1	246.7	174.6	377 647
		57.5 – 64.0	52.0 – 58.5	57.5	169.0	22.0 – 22.7	40.5	11.0	193.1	246.7	174.6	377 648
		63.5 – 70.5	58.0 – 65.0	63.5	175.0	22.0 – 22.7	40.5	11.0	193.1	246.7	174.6	377 649
		70.0 – 77.0	64.5 – 71.5	70.0	181.5	22.0 – 22.7	40.5	11.0	193.1	246.7	174.6	377 650
		76.5 – 83.5	71.0 – 78.0	76.5	188.0	22.0 – 22.7	40.5	11.0	193.1	246.7	174.6	377 651
		83.0 – 89.5	77.5 – 84.0	83.0	194.5	22.0 – 22.7	40.5	11.0	193.1	246.7	174.6	377 652
		89.0 – 96.0	83.5 – 90.5	89.0	200.5	22.0 – 22.7	40.5	11.0	193.1	246.7	174.6	377 653
		95.5 – 102.0	90.0 – 97.0	95.5	207.0	22.0 – 22.7	40.5	11.0	193.1	246.7	174.6	377 654
		101.5 – 108.5	96.5 – 103.0	101.5	213.0	22.0 – 22.7	40.5	11.0	193.1	246.7	174.6	377 655
		25.4	27.5	19.0 – 26.0	13.0 – 20.0	19.0	147.5	25.1 – 26.0	47.0	12.7	251.4	323.5
25.5 – 32.5	19.5 – 26.5			25.5	154.0	25.1 – 26.0	47.0	12.7	251.4	323.5	229.1	377 743
32.0 – 38.5	26.0 – 32.5			32.0	160.5	25.1 – 26.0	47.0	12.7	251.4	323.5	229.1	377 744
38.0 – 45.0	32.0 – 39.0			38.0	166.5	25.1 – 26.0	47.0	12.7	251.4	323.5	229.1	377 745
44.5 – 51.5	38.5 – 45.5			44.5	173.0	25.1 – 26.0	47.0	12.7	251.4	323.5	229.1	377 746
51.0 – 58.0	45.0 – 52.0			51.0	179.5	25.1 – 26.0	47.0	12.7	251.4	323.5	229.1	377 747
57.5 – 64.0	51.5 – 58.0			57.5	186.0	25.1 – 26.0	47.0	12.7	251.4	323.5	229.1	377 748
63.5 – 70.5	57.5 – 64.5			63.5	192.0	25.1 – 26.0	47.0	12.7	251.4	323.5	229.1	377 749
70.0 – 77.0	64.0 – 71.0			70.0	198.5	25.1 – 26.0	47.0	12.7	251.4	323.5	229.1	377 750
76.5 – 83.5	70.5 – 77.0			76.5	205.0	25.1 – 26.0	47.0	12.7	251.4	323.5	229.1	377 751
83.0 – 89.5	76.5 – 83.5			83.0	211.5	25.1 – 26.0	47.0	12.7	251.4	323.5	229.1	377 752
89.0 – 96.0	83.0 – 90.0			89.0	217.5	25.1 – 26.0	47.0	12.7	251.4	323.5	229.1	377 753
95.5 – 102.0	89.5 – 96.0			95.5	224.0	25.1 – 26.0	47.0	12.7	251.4	323.5	229.1	377 754
101.5 – 108.5	95.5 – 102.5			101.5	230.5	25.1 – 26.0	47.0	12.7	251.4	323.5	229.1	377 755

For technical data see collar table. Order collars separately.
HV Lockbolts in steel Type 10.9, in stainless steel and aluminium, zinc on request.

We reserve the right to amend specifications at any time.

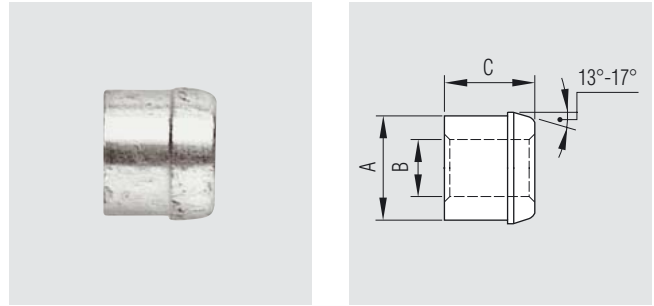
TIFAS® LockBolt HV Large diameter pins and collars

Collars for HV lockbolts

Standard collars

Material

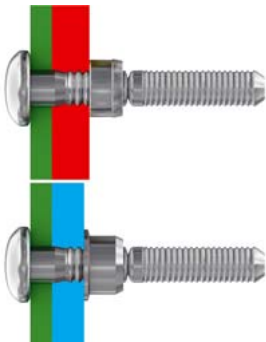
Steel zinc, passivate
EN 10263-2



for nominal pin \varnothing [mm]	Dimensions			Part No. Steel
	A <i>nominal</i> [mm]	B <i>nominal</i> [mm]	C <i>nominal</i> [mm]	
12.7	20.2	13.4	16.0	377 200
16.0	25.1	16.7	21.8	377 201
19.0	30.0	19.9	24.0	377 202
22.2	34.8	23.4	28.0	377 203
25.4	39.9	26.4	32.0	377 204

All collars are lubricated.
Collars in stainless steel and aluminium on request.

Please note:



Standard collar = grip range as shown in tables

Flange collar = narrower grip range

We reserve the right to amend specifications at any time.

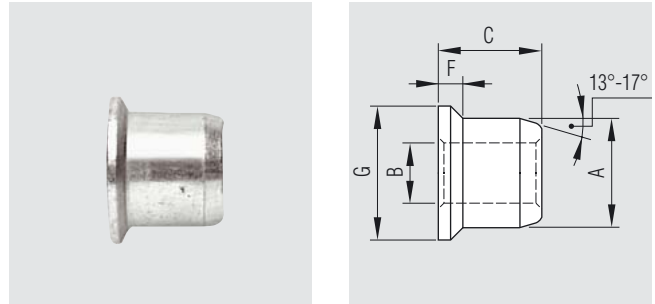
TIFAS® LockBolt HV Large diameter pins and collars


Collars for HV lockbolts

Flange collars

Material

 Steel zinc, passivate
EN 10263-2

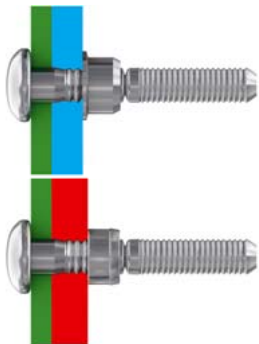


for nominal pin \varnothing [mm]	Dimensions					Part No.  Steel
	A <i>nominal</i> [mm]	B <i>nominal</i> [mm]	C <i>nominal</i> [mm]	F <i>nominal</i> [mm]	G <i>nominal</i> [mm]	
12.7	20.2	13.4	18.5	3.2	25.5	377 210
16.0	25.1	16.7	24.0	4.0	32.0	377 211
19.0	30.0	19.9	29.0	4.8	38.0	377 212
22.2	34.8	23.4	33.5	5.6	40.5	377 213
25.4	39.9	26.4	38.0	6.4	48.0	377 214

All collars are lubricated.

Collars in stainless steel and aluminium on request.

Please note:

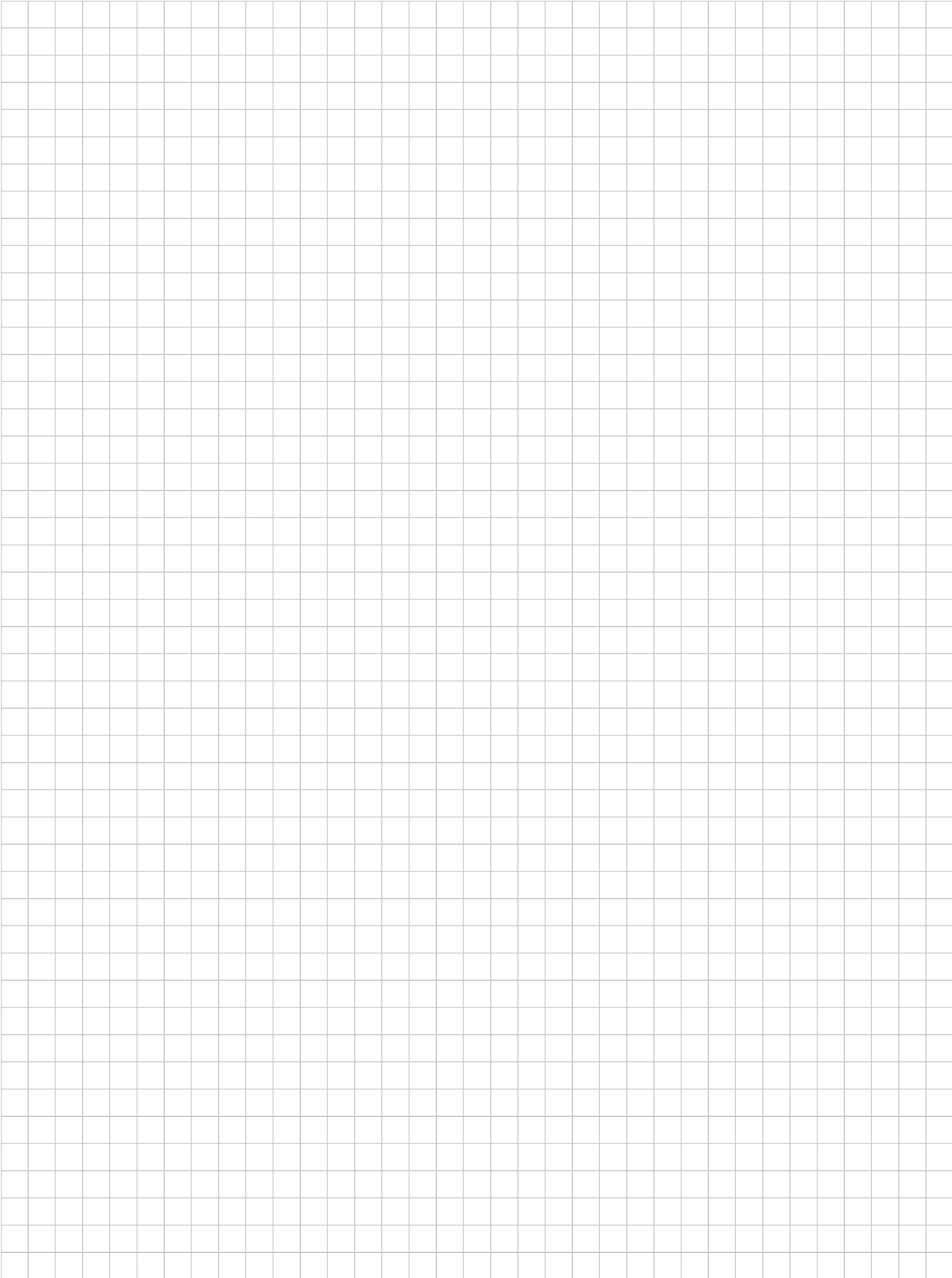


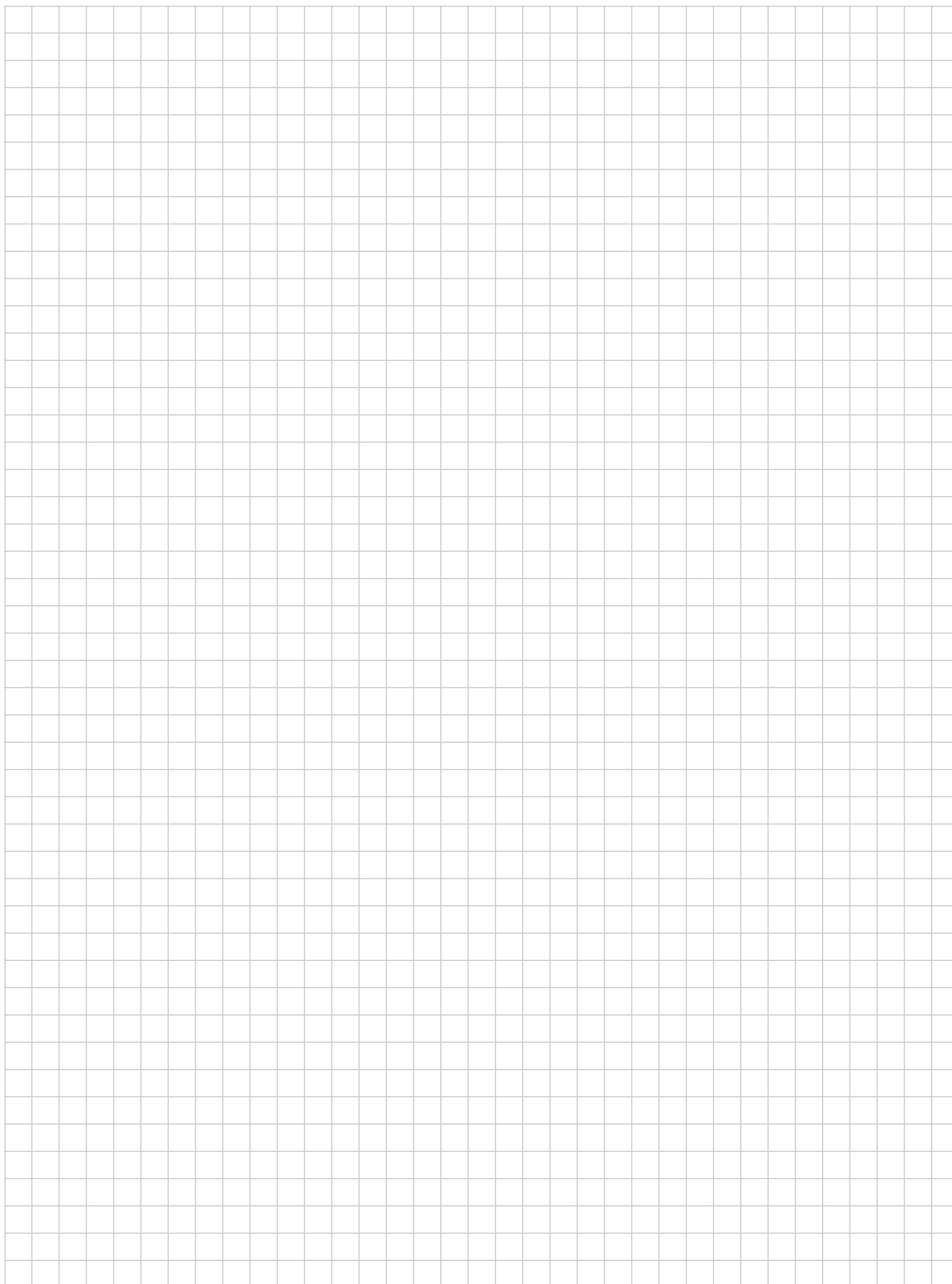
Flange collar = grip range narrows by dimension F

Standard collar = grip range as shown in tables

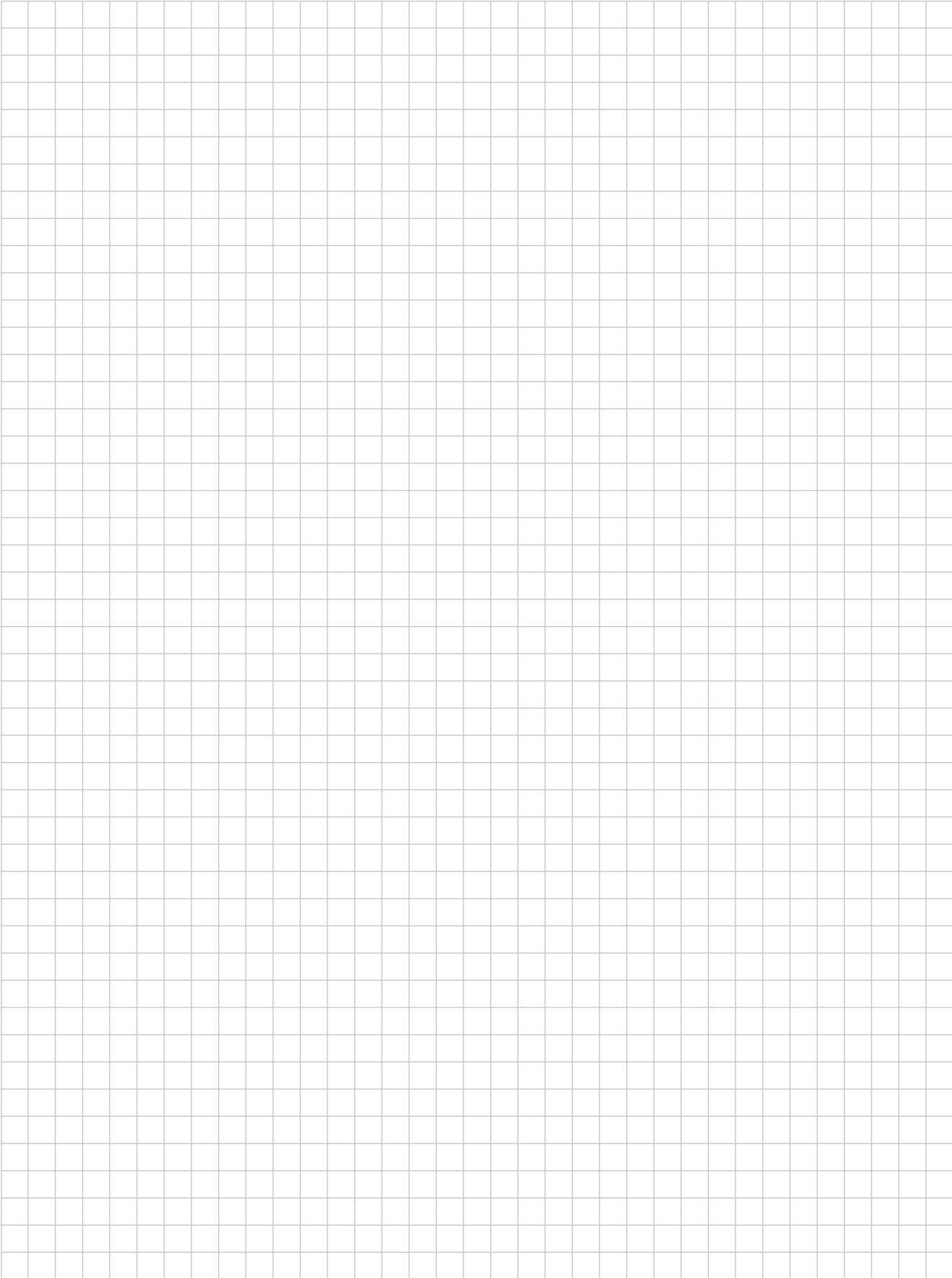
We reserve the right to amend specifications at any time.

NOTES





NOTES



All rights reserved.

The technical data quoted in this catalogue, performance descriptions, recommendations and instructions e.g. for the installation of the components available from us, are without liability. These are based on our experience.

Claims against us as a consequence are expressly excluded as much of the application of our goods remains outside our direct influence.

It is a fundamental obligation of the user to ascertain and to decide whether the goods provided by us are appropriate for a particular application.

This catalogue is our intellectual property! Disclosure to third parties is prohibited.

Reproduction – even in part – as well as use of our illustrations and TITGEMEYER part-numbering systems is only permitted with our express permission in writing.

Subject to change.

Supply of goods is in conformity with our delivery and payment conditions.

Gebr. TITGEMEYER GmbH & Co. KG

Osnabrück



■ **Gebr. TITGEMEYER GmbH & Co. KG**

■ Hannoversche Straße 97

■ (Navigation: Hettlicher Masch 2)

49084 Osnabrück, Germany

P.O. Box 43 20

49033 Osnabrück, Germany

Phone: +49 (0)5 41/58 22-0

Fax: +49 (0)5 41/58 22-491

email: fasteners@titgemeyer.com

www.titgemeyer.com