

Fastening Technology / Threaded Inserts

RIV-TI[®]

Blind Rivet Nuts



Contents

		Page	
RIV-TI® blind rivet nuts	Overview	4	
	Round body	Flat head, open end, aluminium	10
		Flat head, open end, steel	11
		Flat head, open end, A2 stainless steel	12
		Flat head, closed end, A2 stainless steel	13
		Countersunk head, open end, A2 stainless steel	14
		Small countersunk head, open end, aluminium	15
		Small countersunk head, open end, steel	16
		Small countersunk head, open end, A2 stainless steel	17
		Small countersunk head, closed end, A2 stainless steel	18
		Hex body	Flat head, open end, steel
	Flat head, closed end, steel		20
	Small countersunk head, open end, steel		21
	Small countersunk head, closed end, steel		22

Page

Part hex body	Flat head, open end, steel	23
	Flat head, open end, A2 stainless steel	24
	Flat head, closed end, A2 stainless steel	25
	Small countersunk head, open end, steel	26
	Small countersunk head, open end, A2 stainless steel	27
	Small countersunk head, closed end, A2 stainless steel	28
Round body, knurled	Flat head, open end, aluminium	29
	Flat head, open end, steel	30
	Flat head, open end, A2 stainless steel	31
	Flat head, closed end, steel	32
	Countersunk head, open end, steel	33
	Countersunk head, open end, A2 stainless steel	34
	Small countersunk head, open end, steel	35
	Small countersunk head, open end, A2 stainless steel	36
	Small countersunk head, closed end, steel	37
Mechanical loads	38	

RIV-TI® blind rivet nuts



Secure fasteners

More and more users are coming round to and using the significant benefits of blind rivet nut technology. Unlike welded joints, which cause the material to warp, RIV-TI® fasteners can be quickly installed on one side and with little heat. Even on hollow profiles and pipes, the joints are guaranteed to fit perfectly and maintain their dimensional accuracy.

As a combined rivet/screw fastener, RIV-TI® offers numerous engineering benefits.

Fast installation as well as diverse applications are two of the standout features of this system: other components can be attached at the same time as the blind rivet nuts are installed. Once installed, the blind rivet nut offers a highly-durable internal thread for additional fastening options.

What's more, RIV-TI® is gentle on materials and surfaces: even on enamel or varnished surfaces, RIV-TI® does not leave any traces or marks and is twist and warp resistant when fitted.



RIV-TI® is rational

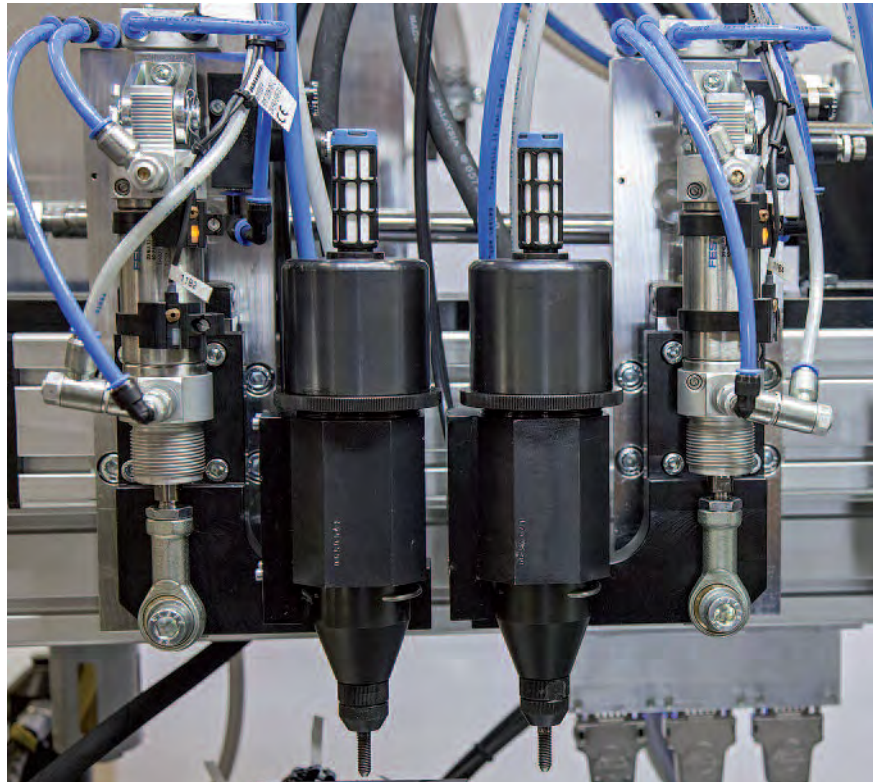
As they install from one side, these blind rivet nuts are ideal for use on components that can only be accessed from one side, such as cavities, profiles or pipes.

The bevelled end of the shank also speeds up the installation process.

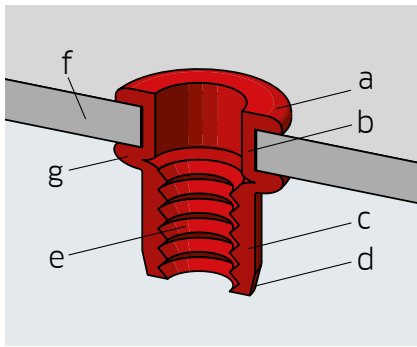
RIV-TI® comes in many shapes and sizes

Made of aluminium, steel or stainless steel.

As a flat head, countersunk head or small countersunk head, with a round body, knurled round body, hex or part hex body with an open or close ended shank. Other components can be attached while the blind rivet nuts are being installed. Once installed, the blind rivet nut offers a highly-durable internal thread for additional fastening options. Standard commercially available screws are all that is required.



Composition of a blind rivet nut



- a: Setting head
- b: Chamber
- c: Shank
- d: Tapered end
- e: Thread
- f: Substrate
- g: Blind-side footprint

Head types



Flat head

- Versatile, with large bearing surface



Countersunk head

- For pre-drilled countersunk holes
- The pre-drilled hole should be countersunk far enough down so that the countersunk head protrudes very minimally after installation (~0.1mm)



Small countersunk head

- When inserted, the small countersunk head is virtually flush with the substrate surface
- Though no countersinking is needed, the following should be taken into account:
Pre-drilled hole tolerances must be observed at all times. The material retaining the blind rivet nut must not be easily malleable as otherwise the fastener may pop out. The screw should not be subjected to oblique tension loads.

Shank types



Round body

- Suitable for numerous applications, especially when hex bodies cannot be inserted into the substrate. The substrate must be dry and free from grease.



Round body, knurled

- The knurled design offers enhanced twist-resistant performance in soft substrates.



Hex/Part hex body

- The hexagonal shape of the shank provides the highest twist resistance of any blind rivet nut in all its applications. Ideal for applications involving dynamic loads.

Open end

- The open end of the shank has the most compact design of any blind rivet nut and the widest range of options in terms of screw length. To ensure maximum strength and stability, the screw should cover the entire length of the thread.

Closed end

- This design prevents any leaks on the blind side. Pressure-tight applications require an additional seal under the head or shank.

Materials and finishes



Aluminium

- Low in weight, high in corrosion resistance



Galvanised steel

- Ideal for standard applications
- Steel blind rivet nuts display quality characteristics at high temperatures
- Our standard finish involves a 5-8µm CrVI-free passivated zinc-plated coat
- RoHS-compatible
- Other finishes are available on request depending on the level of corrosion protection required



A2 stainless steel

- Corrosion and temperature-resistant

Thread sizes/Thread tolerances

- M3 - M16
- ISO metric thread: 6H

Installation notes

Drilling

The mounting hole must be drilled square into the substrate. The snap head side of the hole must be completely deburred and the blind side as free from burr as possible. Dry and grease-free surfaces are recommended for round drilled holes.

Grip range

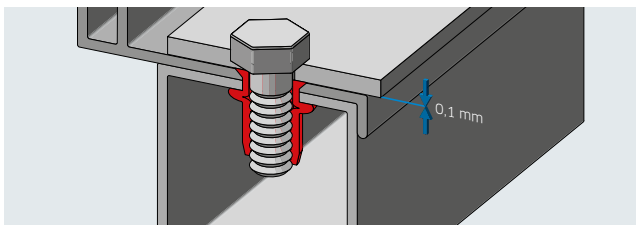
The minimum and maximum values provided by the manufacturer must not be undercut or exceeded.

Installation space

Pipes or hollow profiles must offer sufficient space (length) for the blind rivet nut to be fully inserted. The snap head must rest fully on the component.

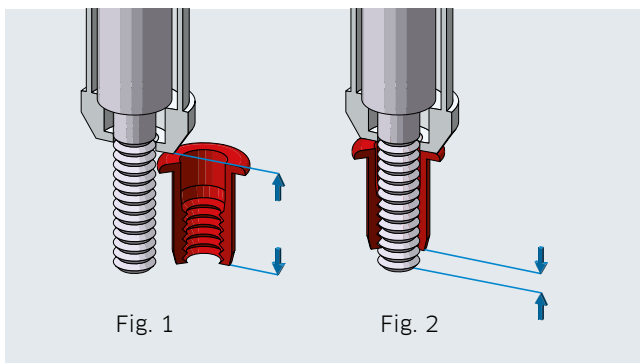
Tool position

The installation tool must be positioned square to the component. The blind rivet nut can be installed using hand, battery-driven or hydropneumatic tools. A wide variety of tools are available which can be easily retooled for different thread sizes by changing the threaded mandrel and nose piece.



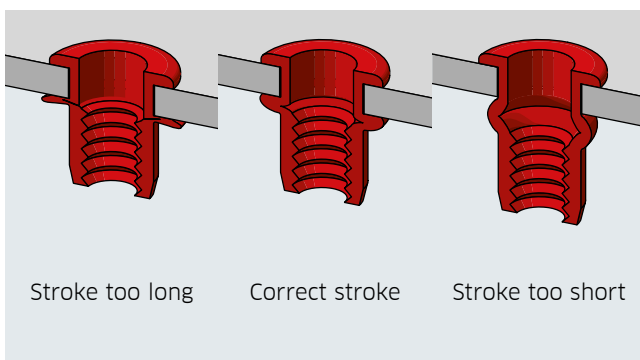
Countersinking

Mounting holes prepared for flat head or small countersunk blind rivet nuts do not need to be countersunk. If countersunk versions are used, the head should protrude by at least 0.1 mm.



Installation

The threaded mandrel and installation tool must cover the entire length of the blind rivet nut to ensure that the internal thread does not deform during the installation process. Fig. 1 shows the correct length of adjustment that the threaded mandrel must have compared to the length of the rivet shank. The tip of the threaded mandrel should then protrude from the blind rivet nut (Fig. 2).



Stroke settings

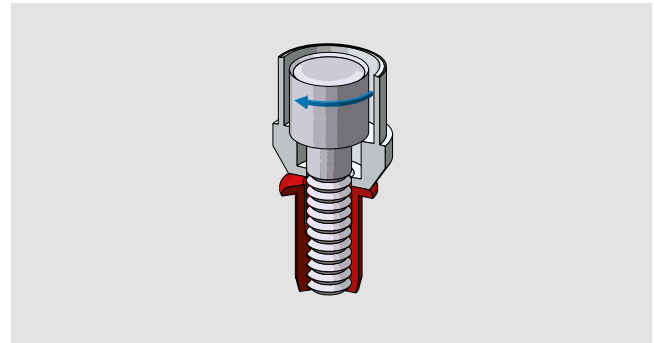
To ensure that the RIV-TI® is properly installed, the installation tool must be set to the correct stroke. Having the right stroke setting is essential and a series of trial installations should be performed first before beginning with the actual installation run. The right installation tool stroke setting varies depending on which blind rivet nut is to be installed and on the thickness of the material. A pear-shaped upset should form on the blind side of the blind rivet nut. Our operating instructions (supplied with each tool) provide full details on how to set the stroke.

Ideal connection

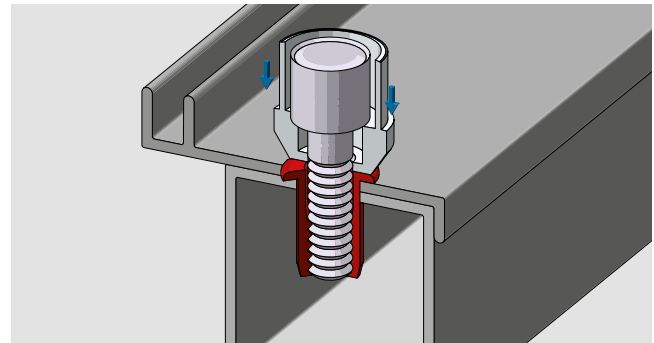
If the fastener has been properly installed, the fastened component will rest on the snap head.

Installation steps

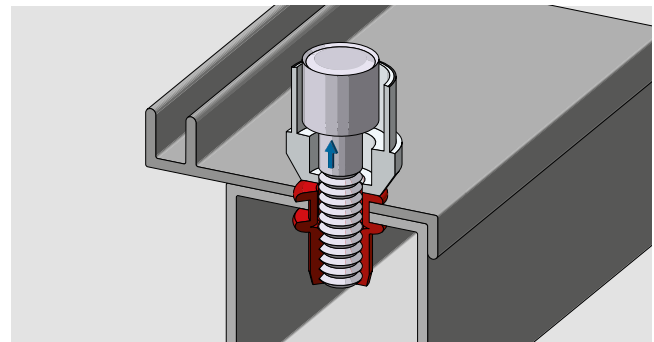
Rotate the RIV-TI® blind rivet nut onto the threaded mandrel on the installation tool.



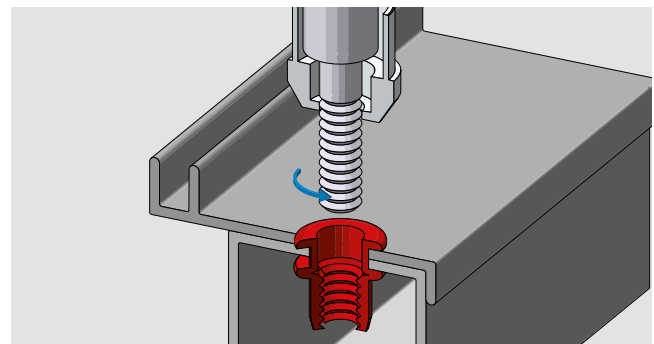
Insert the RIV-TI® blind rivet nut into the pre-drilled hole.



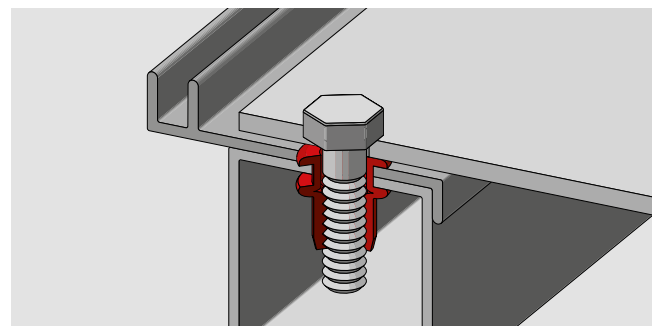
The installation tool will withdraw the threaded mandrel, causing the rivet shank to be upset and install firmly.



Drill the threaded mandrel out of the installed RIV-TI® blind rivet nut.



The RIV-TI® is now ready to be used as a support for further fasteners using commercially available standard screws.



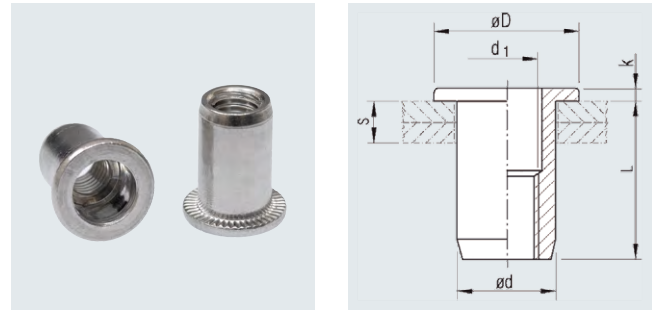
RIV-TI® blind rivet nuts

Round body

Flat head, open end

Material

 Aluminium



Thread	Grip range <i>s</i> [mm]	Hole \varnothing +0.1 [mm]	Shank \varnothing <i>d</i> +0/-0.15 [mm]	Head \varnothing <i>D</i> \pm 0.3 [mm]	Head height <i>k</i> \pm 0.1 [mm]	Shank length <i>L</i> \pm 0.3 [mm]	Article No.
M 3	0.5-1.5	5.0	5.0	8.0	0.8	9.0	336 351 003
M 4	0.8-2.5	6.0	6.0	9.0	0.8	10.5	336 453 003
	2.5-3.5	6.0	6.0	9.0	0.8	11.5	336 455 003
M 5	0.8-2.5	7.0	7.0	10.0	1.0	11.5	336 552 003
	2.5-3.5	7.0	7.0	10.0	1.0	12.5	336 554 003
M 6	1.0-2.5	9.0	9.0	12.5	1.5	13.5	336 631 003
	2.5-4.0	9.0	9.0	12.5	1.5	15.0	336 633 003
M 8	1.0-2.5	11.0	11.0	14.5	1.5	15.0	336 771 003
	2.5-4.0	11.0	11.0	14.5	1.5	16.5	336 773 003
M 10	1.0-2.5	13.0	13.0	16.5	1.5	15.5	336 901 003
	2.5-4.0	13.0	13.0	16.5	1.5	17.0	336 903 003

Other designs available on request.

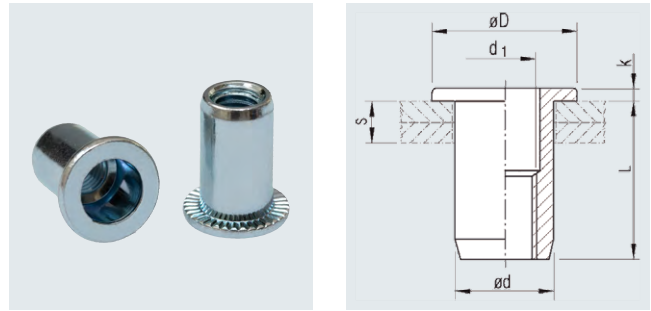
RIV-TI® blind rivet nuts

Round body

Flat head, open end

Material

Steel, galvanised, passivated



Thread	Grip range s [mm]	Hole ø +0.1 [mm]	Shank ø d +0/-0.15 [mm]	Head ø D ±0.3 [mm]	Head height k 0.2 [mm]	Shank length L ±0.3 [mm]	Article No.
M 3	0.3 - 1.8	5.0	5.0	8.0	0.7	8.8	336 181 903
M 4	0.5 - 2.0	6.0	6.0	9.0	0.8	10.4	336 223 903
M 5	0.5 - 2.5	7.0	7.0	11.0	1.0	12.0	336 262 903
M 6	0.8 - 3.0	9.0	9.0	13.0	1.5	14.5	336 711 903
	3.0 - 5.0	9.0	9.0	13.0	1.5	17.0	336 713 903
M 8	0.9 - 3.0	11.0	11.0	15.0	1.5	16.5	336 857 903
	3.0 - 5.5	11.0	11.0	16.0	1.5	19.5	336 859 903
	5.5 - 8.0	11.0	11.0	16.0	1.5	21.5	336 860 903
M 10	1.0 - 3.5	13.0	13.0	17.0	1.5	18.5	336 988 903
	3.0 - 4.5	13.0	13.0	19.0	2.0	22.0	336 990 903
	4.5 - 6.0	13.0	13.0	19.0	2.0	23.5	336 991 903
M 12	1.0 - 4.0	16.1	15.9*	22.0*	2.0	23.0	336 011 903
	4.0 - 7.0	16.1	16.0*	23.0*	2.0	28.0	336 012 903
M 16**	1.0 - 5.0	21.0	20.95*	26.0*	2.5*	30.3*	336 054 903

* Deviating tolerances

** Suitable for use with the RL100 tool.

Other designs available on request.

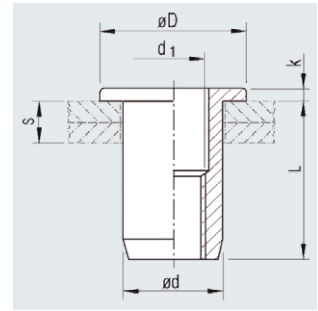
RIV-TI® blind rivet nuts

Round body

Flat head, open end

Material

A2 stainless steel 1.4567



Thread	Grip range s [mm]	Hole ø +0.1 [mm]	Shank ø d max. [mm]	Head ø D 0/-0.5 [mm]	Head height k ±0.1 [mm]	Shank length L ±0.3 [mm]	Article No.
M 3	0.3 - 2.0	5.0	5.0	8.0	0.8	9.0	334 224 003
M 4	0.3 - 2.5	6.0	6.0	9.0	1.0	11.0	334 225 003
	2.5 - 4.0	6.0	6.0	9.0	1.0	12.5	334 226 003
M 5	0.3 - 3.0	7.0	7.0	10.0	1.0	12.0	334 266 003
	3.0 - 4.5	7.0	7.0	10.0	1.0	13.5	334 267 003
M 6	0.5 - 3.0	9.0	9.0	12.0	1.5	14.0	334 716 003
	3.0 - 5.0	9.0	9.0	12.0	1.5	16.0	334 717 003
M 8	0.5 - 3.0	11.0	11.0	15.0	1.5	16.0	334 855 003
	3.0 - 5.5	11.0	11.0	15.0	1.5	18.5	334 856 003
M 10	1.0 - 3.5	13.0	13.0	17.0	2.0	19.0	334 987 003
	3.5 - 6.0	13.0	13.0	17.0	2.0	21.5	334 988 003

Other designs available on request.

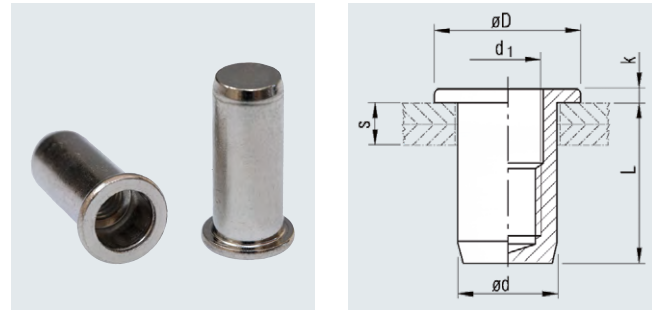
RIV-TI® blind rivet nuts

Round body

Flat head, closed end

Material

A2 stainless
steel 1.4567



Thread	Grip range s [mm]	Hole ø +0.1 [mm]	Shank ø d ±0.1 [mm]	Head ø D 0/-0.5 [mm]	Head height k ±0.1 [mm]	Shank length L ±0.3 [mm]	Article No.
M 4	0.5-2.5	6.0	5.9	9.0	1.0	16.0	334 207 003
M 5	0.5-3.0	7.0	6.9	10.0	1.0	18.0	334 242 003
M 6	0.5-3.0	9.0	8.9	12.0	1.5	21.0	334 691 003
M 8	0.5-3.0	11.0	10.9	15.0	1.5	23.5	334 841 003
M 10	1.0-3.5	13.0	12.9	17.0	2.0	26.5	334 849 003

Other designs available on request.

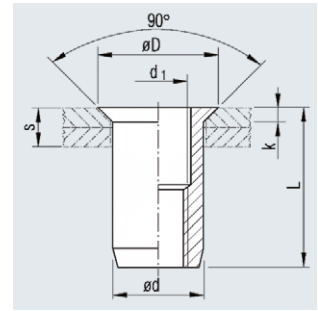
RIV-TI® blind rivet nuts

Round body

Countersunk head, open end

Material

A2 stainless steel 1.4567



Thread	Grip range s [mm]	Hole ø +0.1 [mm]	Shank ø d ±0.1 [mm]	Head ø D 0/-0.5 [mm]	Head height k 0.3/-0 [mm]	Shank length L 0/-0.5 [mm]	Article No.
M 4	2.0 - 4.0	6.0	5.9	9.0	1.5	12.0	334 236 003
M 5	2.0 - 4.5	7.0	6.9	10.0	1.5	13.5	334 276 003
M 6	2.0 - 4.5	9.0	8.9	12.0	1.5	16.0	334 726 003
M 8	2.0 - 4.5	11.0	10.9	14.0	1.5	18.0	334 865 003

Other designs available on request.

RIV-TI® blind rivet nuts

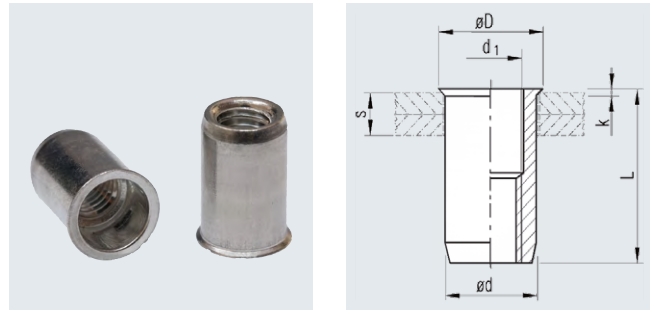
Round body

Small countersunk head, open end

Material



Aluminium



Thread	Grip range	Hole \varnothing	Shank \varnothing	Head \varnothing	Head height	Shank length	Article No.
6H	s	+0.1	d +0/-0.15	D ± 0.3	k ± 0.1	L ± 0.3	
	[mm]	[mm]	[mm]	[mm]	[mm]	[mm]	
M 3	0.5 - 1.5	5.0	5.0	6.0	0.5	9.0	335 442 003
M 4	0.8 - 2.5	6.0	6.0	7.0	0.5	11.0	335 443 003
	2.5 - 3.5	6.0	6.0	7.0	0.5	12.0	335 444 003
M 5	0.8 - 2.5	7.0	7.0	8.0	0.5	12.0	335 453 003
	2.5 - 3.5	7.0	7.0	8.0	0.5	13.0	335 454 003
M 6	1.0 - 2.5	9.0	9.0	10.0	0.5	14.0	335 473 003
	2.5 - 4.0	9.0	9.0	10.0	0.5	15.5	335 474 003
M 8	1.0 - 2.5	11.0	11.0	12.0	0.7	15.5	335 483 003
	2.5 - 4.0	11.0	11.0	12.0	0.7	17.0	335 484 003
M 10	1.0 - 2.5	13.0	13.0	14.0	0.7	16.0	335 485 003
	2.5 - 4.0	13.0	13.0	14.0	0.7	17.5	335 486 003

Other designs available on request.

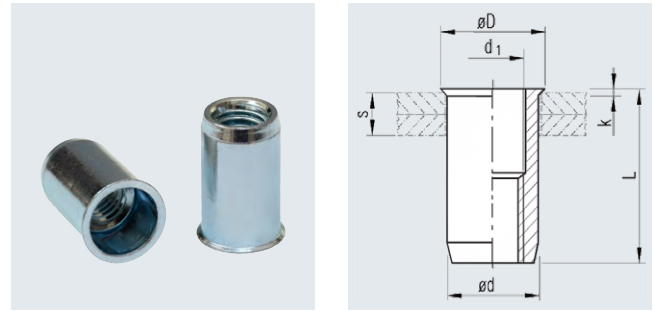
RIV-TI® blind rivet nuts

Round body

Small countersunk head, open end

Material

Steel, galvanised, passivated



Thread	Grip range s [mm]	Hole ø +0.1 [mm]	Shank ø d +0/-0.15 [mm]	Head ø D ±0.3 [mm]	Head height k ±0.2 [mm]	Shank length L ±0.3 [mm]	Article No.
M 4	0.5 - 2.0	6.0	6.0	7.0	0.5	10.0	335 263 903
M 5	0.5 - 2.5	7.0	7.0	8.0	0.5	12.0	335 283 903
M 6	0.8 - 3.0	9.0	9.0	10.0	0.5	15.0	335 293 903
M 8	0.9 - 3.0	11.0	11.0	12.0	0.5	16.0	335 303 903
M 10	1.0 - 4.0	13.0	13.0	13.9	0.7	20.5	335 313 903

Other designs available on request.

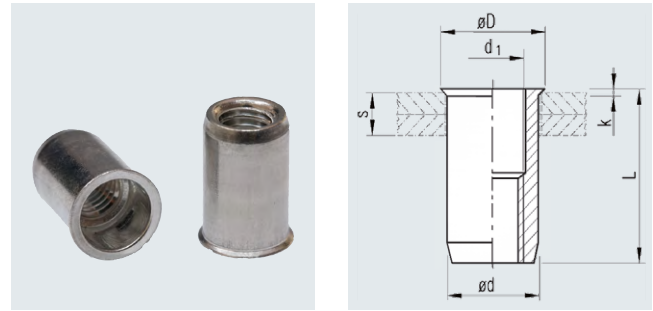
RIV-TI® blind rivet nuts

Round body

Small countersunk head, open end

Material

A2 stainless
steel 1.4567



Thread	Grip range s [mm]	Hole ø +0.1 [mm]	Shank ø d max. [mm]	Head ø D ±0.3 [mm]	Head height k 0.3/-0 [mm]	Shank length L 0.5/-0 [mm]	Article No.
M 3	0.5 - 2.0	5.0	5.0	6.0	0.5	9.0	334 259 003
M 4	0.5 - 2.5	6.0	6.0	7.0	0.5	11.0	334 260 003
M 5	0.5 - 3.0	7.0	7.0	8.0	0.5	12.0	334 283 003
M 6	0.5 - 3.0	9.0	9.0	10.0	0.5	14.0	334 293 003
M 8	0.5 - 3.0	11.0	11.0	12.0	0.5	16.0	334 303 003
M 10	1.0 - 3.5	13.0	13.0	14.2	0.8	19.0	334 314 003

Other designs available on request.

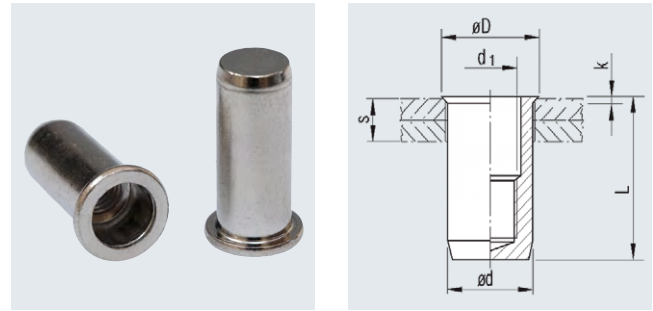
RIV-TI® blind rivet nuts

Round body

Small countersunk head, closed end

Material

A2 stainless steel 1.4567



Thread	Grip range <i>s</i> [mm]	Hole \varnothing +0.1 [mm]	Shank \varnothing <i>d</i> \pm 0.1 [mm]	Head \varnothing <i>D</i> \pm 0.3 [mm]	Head height <i>k</i> 0.3/-0 [mm]	Shank length <i>L</i> 0.5/-0 [mm]	Article No.
M 4	0.5-2.5	6.0	5.9	7.0	0.5	16.0	334 373 003
M 5	0.5-3.0	7.0	6.9	8.0	0.5	18.0	334 383 003
M 6	0.5-3.0	9.0	8.9	10.0	0.5	21.0	334 393 003
M 8	0.5-3.0	11.0	10.9	12.0	0.5	23.5	334 396 003
M 10	1.0-3.5	13.0	12.9	14.2	0.8	26.5	334 398 003

Other designs available on request.

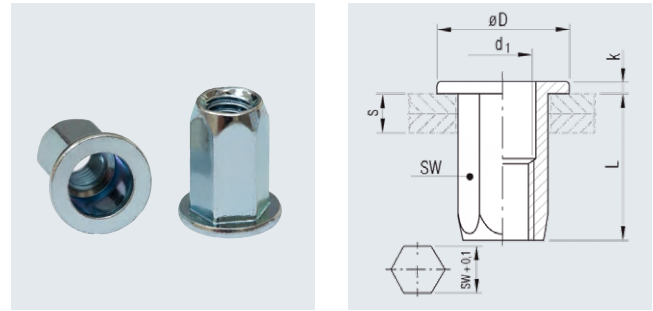
RIV-TI® blind rivet nuts

Hex body

Flat head, open end

Material

Steel, galvanised, passivated



Thread	Grip range s [mm]	Hole ø +0.1 [mm]	Shank ø d 0/-0.2 [mm]	Head ø D ±0.35 [mm]	Head height k ±0.2 [mm]	Shank length L ±0.35 [mm]	Article No.
M 4	0.5-2.5	6.1	6.0	9.0	0.8	10.4	339 222 903
	2.5-4.0	6.1	6.0	9.0	0.8	11.9	339 223 903
M 5	0.5-3.0	7.1	7.0	10.0	1.0	12.0	339 262 903
	3.0-4.5	7.1	7.0	10.0	1.0	13.5	339 263 903
M 6	0.5-3.0	9.1	9.0	13.0	1.5	14.5	339 711 903
	3.0-5.0	9.1	9.0	13.0	1.5	16.5	339 713 903
M 8	0.5-3.0	11.1	11.0	16.0	1.5	16.5	339 857 903
	3.0-5.5	11.1	11.0	16.0	1.5	19.0	339 859 903
	5.5-8.0	11.1	11.0	16.0	1.5	21.5	339 860 903
M 10	1.0-4.5	13.1	13.0	19.0	2.0	22.0	339 987 903
	4.0-6.0	13.1	13.0	19.0	2.0	23.5	339 989 903
M 12	1.5-5.0	16.1	16.0	23.0	2.0	25.0	339 998 903

Other designs available on request.

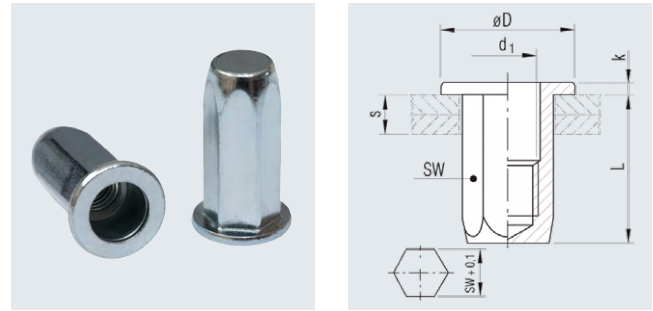
RIV-TI® blind rivet nuts

Hex body

Flat head, closed end

Material

Steel, galvanised, passivated



Thread	Grip range	Hole ø	Shank ø	Head ø	Head height	Shank length	Article No.
6H	s	+0.1	d +0/-0.15	D ±0.3	k ±0.2	L ±1.0	
	[mm]	[mm]	[mm]	[mm]	[mm]	[mm]	
M 4	0.5 - 2.0	6.0	6.0	9.0	1.0	15.0	339 202 903
M 5	0.5 - 3.0	7.0	7.0	10.0	1.0	19.0	339 242 903
M 6	0.5 - 3.0	9.0	9.0	13.0	1.5	21.5	339 691 903
M 8	0.7 - 3.0	11.0	11.0	16.0	1.5	24.5	339 837 903
	3.0 - 5.5	11.0	11.0	16.0	1.5	27.0	339 838 903

Other designs available on request.

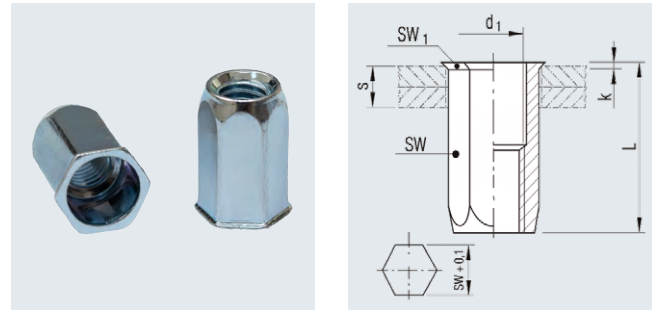
RIV-TI® blind rivet nuts

Hex body

Small countersunk head, open end

Material

Steel, galvanised, passivated



Thread	Grip range s [mm]	Hole ø +0.1 [mm]	Shank ø d 0/-0.2 [mm]	Head ø D ±0.35 [mm]	Head height k 0/+0.3 [mm]	Shank length L +0.5/-0.3 [mm]	Article No.
M 4	0.5-2.5	6.1	6.0	7.0	0.5	10.0	339 322 903
	2.0-4.0	6.1	6.0	7.0	0.5	12.2	339 323 903
M 5	0.5-3.0	7.1	7.0	8.0	0.6	12.0	339 362 903
	2.0-4.5	7.1	7.0	8.0	0.6	14.8	339 363 903
M 6	0.6-3.0	9.1	9.0	10.0	0.6	15.0	339 811 903
	3.0-5.5	9.1	9.0	10.0	0.6	18.0	339 812 903
M 8	0.7-3.5	11.1	11.0	12.0	0.5	17.5	339 957 903
	3.0-5.5	11.1	11.0	12.0	0.5	19.0	339 959 903
M 10	1.0-4.5	13.1	13.0	14.5	1.0	23.0	339 991 903
	3.0-6.0	13.1	13.0	14.5	1.0	25.0	339 993 903
M 12	1.0-4.0	16.1	16.0	18.0*	1.0	25.0*	339 994 903
	3.5-6.5	16.1	16.0	18.0*	1.0	28.0	339 995 903

* Deviating tolerances
Other designs available on request.

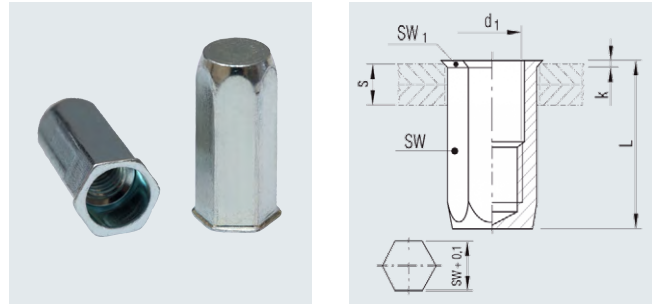
RIV-TI® blind rivet nuts

Hex body

Small countersunk head, closed end

Material

Steel, galvanised, passivated



Thread	Grip range	Hole ø	Shank ø	Head ø	Head height	Shank length	Article No.
6H	s	+0.1	d +0/-0.15	D ±0.3	k ±0.2	L ±1.0	
	[mm]	[mm]	[mm]	[mm]	[mm]	[mm]	
M 4	0.5 - 2.0	6.0	6.0	6.9	0.5	16.0	339 422 903
M 5	0.5 - 3.0	7.0	7.0	8.0	0.5	20.0	339 462 903
M 6	0.5 - 3.0	9.0	9.0	10.0	0.6	22.0	339 911 903
	3.0 - 5.5	9.0	9.0	10.0	0.6	24.0	339 912 903
M 8	0.7 - 3.0	11.0	11.0	12.0	0.5	25.5	339 967 903

Other designs available on request.

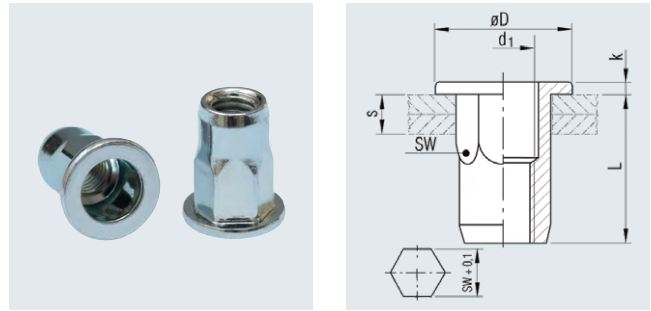
RIV-TI® blind rivet nuts

Part hex body

Flat head, open end

Material

Steel, galvanised, passivated



Thread	Grip range <i>s</i> [mm]	Hole \varnothing +0.1 [mm]	Shank \varnothing <i>d</i> +0/-0.15 [mm]	Head \varnothing <i>D</i> \pm 0.3 [mm]	Head height <i>k</i> \pm 0.2 [mm]	Shank length <i>L</i> \pm 0.35 [mm]	Article No.
M 4	0.5 - 2.5	6.0	6.0	9.0	0.8	10.2	339 920 903
M 5	0.5 - 3.0	7.0	7.0	10.0	1.0	12.8	339 922 903
M 6	0.5 - 3.0	9.0	9.0	13.0	1.5	14.5	339 924 903
M 8	0.5 - 3.0	11.0	11.0	16.0	1.5	16.5	339 926 903
M 10	1.0 - 4.5	12.8*	12.7*	19.0	2.0	22.0	339 990 903
	1.0 - 4.5	13.0	13.0	19.0	2.0	22.0	339 929 903

Other designs available on request.

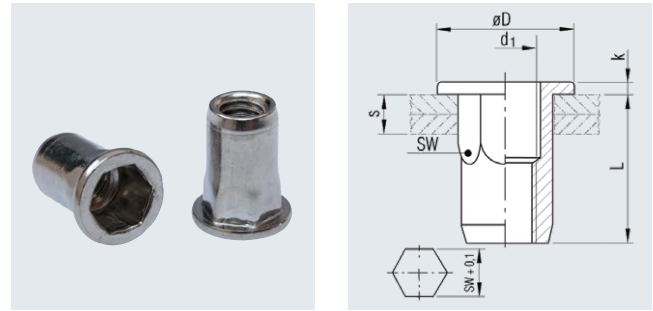
RIV-TI® blind rivet nuts

Part hex body

Flat head, open end

Material

A2 stainless steel 1.4567



Thread	Grip range	Hole \varnothing	Shank \varnothing	Head \varnothing	Head height	Shank length	Article No.
6H	s	+0.1	d +0/-0.15	D 0.5/-0	k ± 0.1	L ± 0.3	
	[mm]	[mm]	[mm]	[mm]	[mm]	[mm]	
M 4	0.5 - 2.5	6.0	6.0	9.0	1.0	11.0	334 135 003
	2.5 - 4.0	6.0	6.0	9.0	1.0	12.5	334 136 003
M 5	0.5 - 3.0	7.0	7.0	10.0	1.0	12.0	334 155 003
	3.0 - 4.5	7.0	7.0	10.0	1.0	13.5	334 419 003
M 6	0.5 - 3.0	9.0	9.0	12.0	1.5	14.0	334 175 003
	3.0 - 5.0	9.0	9.0	12.0	1.5	16.0	334 714 003
M 8	0.5 - 3.0	11.0	11.0	14.5	1.5	16.0	334 185 003
	3.0 - 5.5	11.0	11.0	14.5	1.5	18.5	334 186 003
M 10	1.0 - 3.5	13.0	13.0	16.5	2.0	19.0	334 196 003

Other designs available on request.

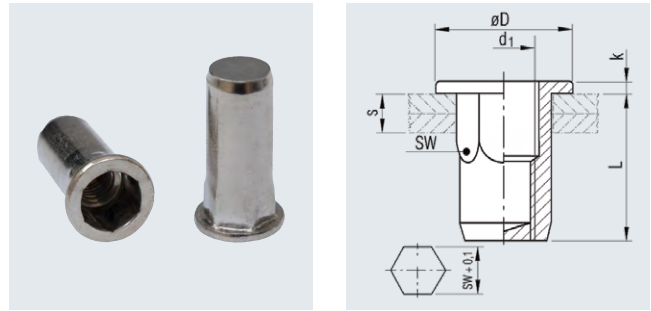
RIV-TI® blind rivet nuts

Part hex body

Flat head, closed end

Material

A2 stainless
steel 1.4567



Thread	Grip range <i>s</i> [mm]	Hole \varnothing +0.1 [mm]	Shank \varnothing <i>d</i> +0/-0.15 [mm]	Head \varnothing <i>D</i> 0.5/-0 [mm]	Head height <i>k</i> \pm 0.1 [mm]	Shank length <i>L</i> \pm 0.3 [mm]	Article No.
M 4	0.5-2.5	6.0	6.0	9.0	1.0	16.0	334 425 003
M 5	0.5-3.0	7.0	7.0	10.0	1.0	18.0	334 427 003
M 6	0.5-3.0	9.0	9.0	12.0	1.5	21.0	334 429 003
M 8	0.5-3.0	11.0	11.0	14.5	1.5	23.5	334 431 003
	3.0-5.5	11.0	11.0	14.5	1.5	26.0	334 434 003

Other designs available on request.

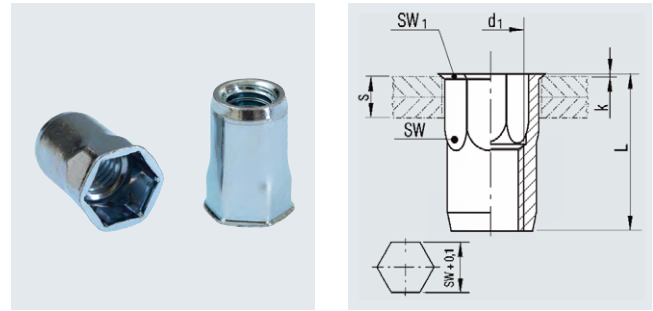
RIV-TI® blind rivet nuts

Part hex body

Small countersunk head, open end

Material

Steel, galvanised, passivated



Thread	Grip range s [mm]	Hole ø +0.1 [mm]	Shank ø d +0/-0.15 [mm]	Head ø D ±0.3 [mm]	Head height k ±0.1 [mm]	Shank length L ±0.25 [mm]	Article No.
M 3	0.5 - 1.5	5.0	5.0	6.0	0.5	9.3	339 820 903
	1.5 - 2.5	5.0	5.0	6.0	0.5	10.0	339 821 903
M 4	0.5 - 2.0	6.0	6.0	6.8	0.4	10.5	339 822 903
M 5	0.5 - 3.0	7.0	7.0	8.0	0.5	11.7	339 824 903
M 6	0.5 - 3.0	9.0	9.0	10.0	0.5	14.5	339 826 903
M 8	0.5 - 3.0	11.0	11.0	12.0	0.5	16.5	339 828 903
M 10	0.5 - 3.5	13.0	13.0	14.0	0.8	20.0	339 830 903

Other designs available on request.

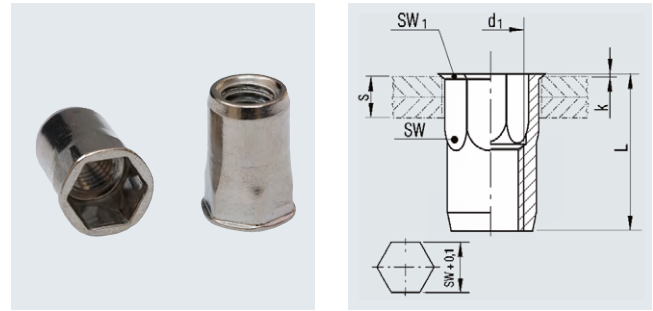
RIV-TI® blind rivet nuts

Part hex body

Small countersunk head, open end

Material

A2 stainless
steel 1.4567



Thread	Grip range s [mm]	Hole \varnothing +0.1 [mm]	Shank \varnothing d +0/-0.15 [mm]	Head \varnothing D \pm 0.3 [mm]	Head height k 0.3/-0 [mm]	Shank length L 0.5/-0 [mm]	Article No.
M 4	0.5-2.5	6.0	6.0	7.0	0.5	11.0	334 142 003
	2.5-4.0	6.0	6.0	7.0	0.5	12.5	334 143 003
M 5	0.5-3.0	7.0	7.0	8.0	0.5	12.0	334 162 003
	3.0-4.5	7.0	7.0	8.0	0.5	13.5	334 165 003
M 6	0.5-3.0	9.0	9.0	10.0	0.5	14.0	334 182 003
	3.0-5.0	9.0	9.0	10.0	0.5	16.0	334 183 003
M 8	0.5-3.0	11.0	11.0	12.0	0.5	16.0	334 192 003
	3.0-5.0	11.0	11.0	12.0	0.5	18.5	334 194 003
M 10	1.0-3.5	13.0	13.0	14.2	0.7	19.0	334 197 003

Other designs available on request.

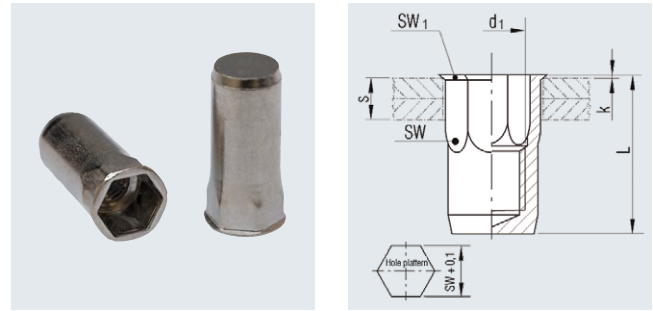
RIV-TI® blind rivet nuts

Part hex body

Small countersunk head, closed end

Material

A2 stainless steel 1.4567



Thread	Grip range s [mm]	Hole ø +0.1 [mm]	Shank ø d +0/-0.15 [mm]	Head ø D ±0.3 [mm]	Head height k +0.3/-0 [mm]	Shank length L +0.5/-0 [mm]	Article No.
M 4	0.5 - 2.5	6.0	6.0	7.0	0.5	16.0	334 421 003
	2.5 - 4.0	6.0	6.0	7.0	0.5	17.5	334 459 003
M 5	0.5 - 3.0	7.0	7.0	8.0	0.5	18.0	334 460 003
M 6	0.5 - 3.0	9.0	9.0	10.0	0.5	21.0	334 462 003
M 8	0.5 - 3.0	11.0	11.0	12.0	0.5	23.5	334 466 003
	3.0 - 5.5	11.0	11.0	12.0	0.5	26.0	334 467 003
M 10	1.0 - 3.5	13.0	13.0	14.2	0.8	26.5	334 468 003

Other designs available on request.

RIV-TI® blind rivet nuts

Round body, knurled

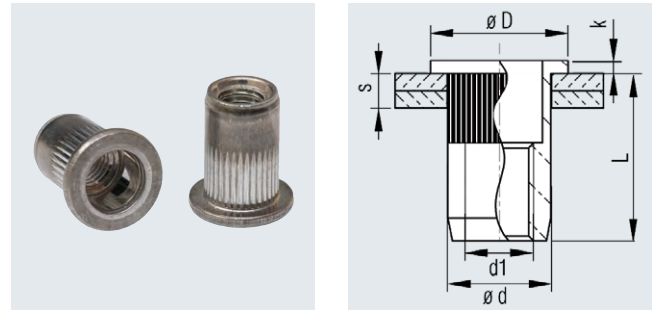
Flat head, open end

Material



Aluminium

Article also available with small countersunk head
subject to minimum order volumes being met.



Thread	Grip range	Hole ø	Shank ø	Head ø	Head height	Shank length	Article No.
6H	s	+0.1	d +0/-0.15	D ±0.3	k ±0.1	L ±0.3	
	[mm]	[mm]	[mm]	[mm]	[mm]	[mm]	
M 4	0.8 - 2.5	6.0	6.0	9.0	0.8	10.5	336 354 003
	2.5 - 3.5	6.0	6.0	9.0	0.8	11.5	336 454 003
M 5	0.8 - 2.5	7.0	7.0	10.0	1.0	11.5	336 555 003
	2.5 - 3.5	7.0	7.0	10.0	1.0	12.5	336 556 003
M 6	1.0 - 2.5	9.0	9.0	12.5	1.5	13.5	336 635 003
	2.5 - 4.0	9.0	9.0	12.5	1.5	15.0	336 636 003
M 8	1.0 - 2.5	11.0	11.0	14.5	1.5	15.0	336 787 003
	2.5 - 4.0	11.0	11.0	14.5	1.5	16.5	336 788 003
M 10	1.0 - 2.5	13.0	13.0	16.5	1.5	15.5	336 904 003
	2.5 - 4.0	13.0	13.0	16.5	1.5	17.0	336 905 003

Other designs available on request.

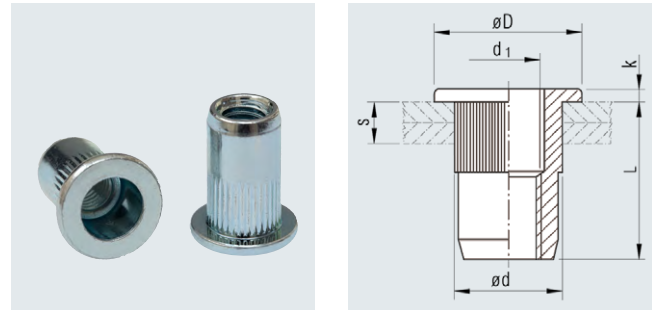
RIV-TI® blind rivet nuts

Round body, knurled

Flat head, open end

Material

Steel, galvanised, passivated



Thread	Grip range s [mm]	Hole ø +0.1 [mm]	Shank ø d +0/-0.15 [mm]	Head ø D ±0.3 [mm]	Head height k ±0.2 [mm]	Shank length L ±0.3 [mm]	Article No.
M 3	0.5 - 2.0	5.0	5.0	8.0	0.7	9.8	337 799 903
M 4	0.5 - 2.5	6.0	6.0	9.0	0.8	10.2	337 800 903
	2.5 - 4.0	6.0	6.0	9.0	0.8	11.7	337 801 903
M 5	0.7 - 3.0	7.0	7.0	10.0	1.0	12.0	337 805 903
	3.0 - 4.5	7.0	7.0	10.0	1.0	13.5	337 806 903
M 6	0.8 - 3.0	9.0	9.0	13.0	1.5	15.0	337 810 903
	3.0 - 5.0	9.0	9.0	13.0	1.5	17.0	337 811 903
M 8	1.0 - 3.0	11.0	11.0	16.0	1.5	16.0	337 915 903
	3.0 - 5.5	11.0	11.0	16.0	1.5	19.5	337 916 903
M 10	1.0 - 4.5	13.0	13.0	19.0	2.0	22.0	337 818 903
	4.5 - 6.0	13.0	13.0	19.0	2.0	23.5	337 819 903
M 12	1.0 - 4.0	16.0	15.9	21.7	2.0	23.2	337 968 903

Other designs available on request.

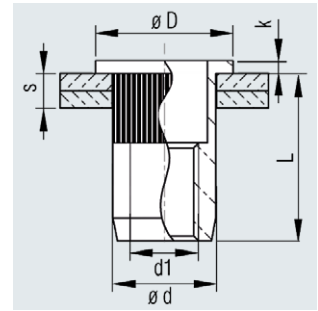
RIV-TI® blind rivet nuts

Round body, knurled

Flat head, open end

Material

A2 stainless
steel 1.4567



Thread	Grip range s [mm]	Hole ø +0.1 [mm]	Shank ø d max. [mm]	Head ø D 0/-0.5 [mm]	Head height k ±0.1 [mm]	Shank length L ±0.3 [mm]	Article No.
M 3	0.3 - 2.0	5.0	5.0	8.0	0.8	9.0	334 799 003
M 4	0.3 - 2.5	6.0	6.0	9.0	1.0	11.0	334 800 003
	2.5 - 4.0	6.0	6.0	9.0	1.0	12.5	334 801 003
M 5	0.3 - 3.0	7.0	7.0	10.0	1.0	12.0	334 803 003
	3.0 - 4.5	7.0	7.0	10.0	1.0	13.5	334 804 003
M 6	0.5 - 3.0	9.0	9.0	12.0	1.5	14.0	334 805 003
	3.0 - 5.0	9.0	9.0	12.0	1.5	16.0	334 806 003
M 8	0.5 - 3.0	11.0	11.0	15.0	1.5	16.0	334 807 003
	3.0 - 5.5	11.0	11.0	15.0	1.5	18.5	334 808 003
M 10	1.0 - 3.5	13.0	13.0	17.0	2.0	19.0	334 822 003
	3.5 - 6.0	13.0	13.0	17.0	2.0	21.5	334 823 003

Other designs available on request.

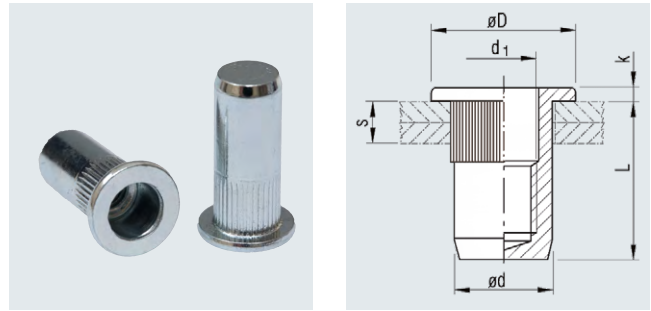
RIV-TI® blind rivet nuts

Round body, knurled

Flat head, closed end

Material

Steel, galvanised, passivated



Thread	Grip range s [mm]	Hole ø +0.1 [mm]	Shank ø d +0/-0.15 [mm]	Head ø D ±0.3 [mm]	Head height k ±0.2 [mm]	Shank length L ±1.0 [mm]	Article No.
M 4	0.5 - 2.5	6.0	6.0	9.0	0.8	15.7	337 830 903
M 5	0.5 - 2.5	7.0	7.0	10.0	1.0	18.0	337 832 903
M 6	0.7 - 3.0	9.0	9.0	13.0	1.5	21.5	337 834 903
M 8	0.7 - 3.0	11.0	11.0	16.0	1.5	24.5	337 836 903

Other designs available on request.

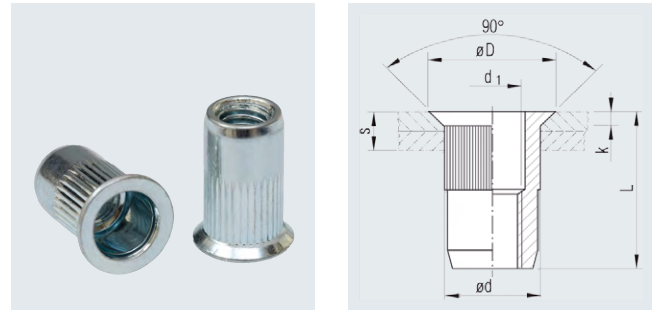
RIV-TI® blind rivet nuts

Round body, knurled

Countersunk head, open end

Material

Steel, galvanised, passivated



Thread	Grip range s [mm]	Hole ø +0.1 [mm]	Shank ø d +0/-0.15 [mm]	Head ø D ±0.3 [mm]	Head height k ±0.2 [mm]	Shank length L ±0.3 [mm]	Article No.
M 4	1.5-3.5	6.0	6.0	8.5	1.5	11.5	337 971 903
M 5	1.5-4.0	7.0	7.0	9.5	1.5	13.0	337 973 903
M 6	1.5-4.5	9.0	9.0	11.5	1.5	16.0	337 975 903
M 8	1.5-4.5	11.0	11.0	13.5	1.5	18.5	337 977 903
M 10	1.5-4.5	13.0	13.0	15.2	1.5	22.0	337 979 903
M 12	1.8-4.5	16.0	16.0	18.6	1.8	26.0	337 980 903

Other designs available on request.

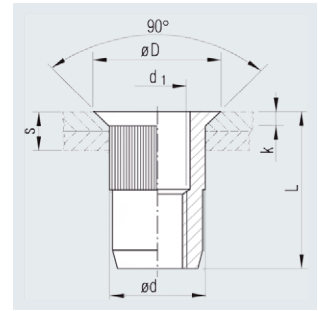
RIV-TI® blind rivet nuts

Round body, knurled

Countersunk head, open end

Material

A2 stainless steel 1.4567



Thread	Grip range s [mm]	Hole ø +0.1 [mm]	Shank ø d +0.1 [mm]	Head ø D 0/-0.5 [mm]	Head height k 0.3/-0 [mm]	Shank length L 0/-0.5 [mm]	Article No.
M 4	2.0 - 4.0	6.0	5.9	9.0	1.5	12.0	334 115 003
M 5	2.0 - 4.5	7.0	6.9	10.0	1.5	13.5	334 116 003
M 6	2.0 - 4.5	9.0	8.9	12.0	1.5	16.0	334 117 003
M 8	2.0 - 4.5	11.0	10.9	14.0	1.5	18.0	334 118 003

Other designs available on request.

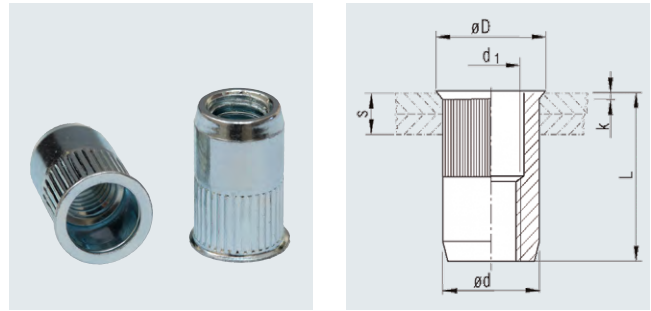
RIV-TI® blind rivet nuts

Round body, knurled

Small countersunk head, open end

Material

Steel, galvanised, passivated



Thread	Grip range s [mm]	Hole ø +0.1 [mm]	Shank ø d +0/-0.15 [mm]	Head ø D ±0.3 [mm]	Head height k ±0.2 [mm]	Shank length L ±0.3 [mm]	Article No.
M 3	0.5 - 1.5	5.0	5.0	5.7	0.4	9.0	337 859 903
M 4	0.5 - 2.0	6.0	6.0	7.0	0.5	10.0	337 860 903
	2.5 - 4.0	6.0	6.0	7.0	0.5	12.0	337 861 903
M 5	0.5 - 2.5	7.0	7.0	8.0	0.5	12.0	337 862 903
	2.5 - 4.0	7.0	7.0	8.0	0.6	14.0	337 863 903
M 6	0.7 - 3.0	9.0	9.0	10.0	0.5	15.0	337 864 903
	3.0 - 5.0	9.0	9.0	10.0	0.5	17.0	337 865 903
M 8	1.0 - 3.0	11.0	11.0	12.0	0.5	16.0	337 866 903
	3.0 - 5.5	11.0	11.0	12.0	0.5	18.5	337 867 903
M 10	1.0 - 4.0	13.0	13.0	14.1	0.6	20.5	337 868 903
	4.0 - 6.0	13.0	13.0	14.1	0.6	23.5	337 869 903
M 12	1.0 - 4.0	16.0	16.0	17.2	0.6	24.0	337 870 903
	4.0 - 6.0	16.0	16.0	17.2	0.6	27.0	337 871 903

Other designs available on request

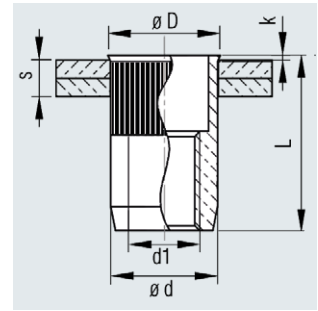
RIV-TI® blind rivet nuts

Round body, knurled

Small countersunk head, open end

Material

A2 stainless steel 1.4567



Thread	Grip range s [mm]	Hole \varnothing +0.1 [mm]	Shank \varnothing d max. [mm]	Head \varnothing D ± 0.3 [mm]	Head height k +0.3/-0 [mm]	Shank length L +0.5/-0 [mm]	Article No.
M 3	0.5-2.0	5.0	5.0	6.0	0.5	9.0	334 809 003
M 4	0.5-2.5	6.0	6.0	7.0	0.5	11.0	334 810 003
	2.5-4.0	6.0	6.0	7.0	0.5	12.5	334 811 003
M 5	0.5-3.0	7.0	7.0	8.0	0.5	12.0	334 812 003
	3.0-4.5	7.0	7.0	8.0	0.5	13.5	334 813 003
M 6	0.5-3.0	9.0	9.0	10.0	0.5	14.0	334 814 003
	3.0-5.0	9.0	9.0	10.0	0.5	16.0	334 815 003
M 8	0.5-3.0	11.0	11.0	12.0	0.5	16.0	334 816 003
	3.0-5.5	11.0	11.0	12.0	0.5	18.5	334 817 003
M 10	1.0-3.5	13.0	13.0	14.2	0.8	19.0	334 818 003
	3.5-6.0	13.0	13.0	14.2	0.8	21.5	334 819 003

Other designs available on request

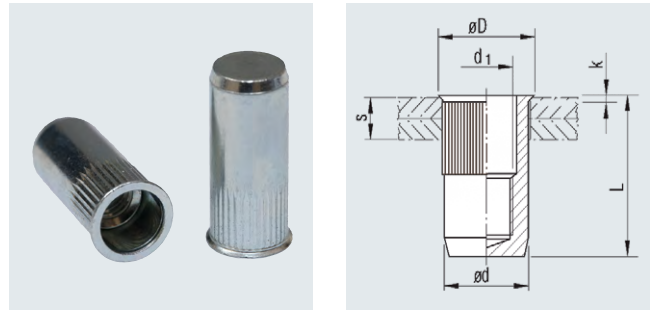
RIV-TI® blind rivet nuts

Round body, knurled

Small countersunk head, closed end

Material

Steel, galvanised, passivated






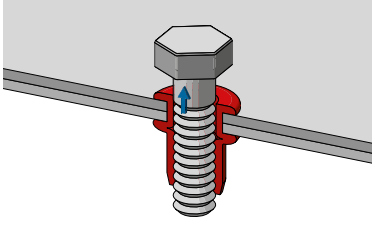
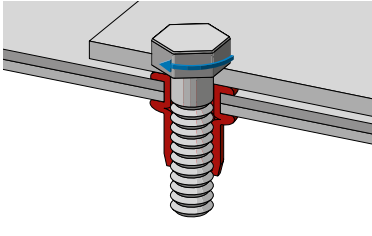
Thread	Grip range s [mm]	Hole ø +0.1 [mm]	Shank ø d +0/-0.15 [mm]	Head ø D ±0.3 [mm]	Head height k ±0.2 [mm]	Shank length L ±1.0 [mm]	Article No.
M 4	0.5 - 2.5	6.0	6.0	6.8	0.5	15.0	337 839 903
M 5	0.5 - 2.5	7.0	7.0	7.9	0.5	18.0	337 841 903
M 6	0.5 - 3.0	9.0	9.0	10.0	0.5	21.5	337 843 903
M 8	1.0 - 3.2	11.0	11.0	12.0	0.5	22.5	337 845 903

Other designs available on request.

RIV-TI® blind rivet nuts

Mechanical loads

The values shown below are based on our own tests and may vary greatly depending on the material, hole tolerance, surface, etc. They are therefore for guideline purposes only. To obtain exact load values, it is recommended that you run tests on the original component using the intended screws.

	Thread size	Aluminium	Steel	Stainless steel	
					
Axial proof load N	M3	2500	3900	4900	
	M4	4000	5000	7800	
	M5	4900	9000	13500	
	M6	8400	17500	21000	
	M8	10200	27000	32000	
	M10	13000	30200	40000	
	M12	NA	NA	NA	
Torque in Nm up to max. distortion with max. grip range	M3	2	2	2	
	M4	2,5	4	5	
	M5	7	8	15	
	M6	14	10	20	
	M8	20	29	49	
	M10	27	39	NA	
	M12	NA	NA	NA	

Copyright

All texts, images, technical documents and other information contained in this catalogue are subject to copyright held by Titgemeyer GmbH & Co. KG. Any reproduction or disclosure, whether as a copy or other form of duplication or use, is expressly prohibited without the prior consent of Titgemeyer GmbH & Co. KG.

Registered trademarks

The trademarks BÖRTI, GETO, GETO therm, GETOVAN, GTO, LockBolt, MEGA PORT, plasti van, PLYFIX, POLYSTIC, press-ti, RIEKO, RIV-TI, ROLL-TO, TIBOLT, TIBULB, TIFAS, TILA, TIOS and Titgemeyer are registered trademarks and the intellectual property of Titgemeyer GmbH & Co. KG.

Term of Delivery and Payment

All deliveries are carried out in compliance with our Terms of Delivery and Payment.

Limitation of liability

All technical data, performance descriptions, drawings, illustrations, measurements, weights or any other performance data, recommendations and guidelines contained in this catalogue and relating to the installation of parts that we supply are only binding if so expressly agreed. Moreover, the user is obliged at all times to check each individual use and decide whether the components that we supply can be used as needed.

We accept liability in the case of wilful intent, gross negligence and infringement of cardinal contractual duties as well as for errors in respect of express or implied representations. Notwithstanding this, any claims for compensation not explicitly agreed to in these terms and conditions are hereby excluded in the case of customers who are not consumers and, in the case of such customers, who are not consumers, at all events limited to the damage foreseeable at the time of concluding the contract as well as to the value of the delivered consignment. To the extent that our liability is excluded or limited, this shall extend accordingly to the personal liability of employees, legal representatives and vicarious agents. In all instances of gross negligence committed by vicarious agents, we shall solely be liable to customers, who are not consumers, to compensate for typically foreseeable damage. The statutory regulation governing the burden of proof shall remain unaffected. The aforementioned limitation of liability shall not apply to claims resulting from product liability, for damage resulting from injury to life, limb or health, or for damage to privately used property.

All technical specifications contained in this brochure are approximate and no guarantee is given as to their accuracy. Designs are subject to change.

About us

The Titgemeyer Group is a leading company for fastening technology and vehicle components at 15 locations in Europe.

The traditional company develops, manufactures and sells more than 30,000 fastening elements, tools and vehicle components – in series production and on request.

Headquarters

Titgemeyer GmbH & Co. KG
Hannoversche Straße 97
49084 Osnabrück / DE

PO Box 4320
49033 Osnabrück / DE

T +49 541 5822-0
E info@titgemeyer.com
W titgemeyer.com



Sales locations

Titgemeyer Austria GmbH
Brunner Straße 77 - 79
1230 Wien / AT

T +43 (0) 1/6 67 90 40 - 0
E sales@titgemeyer.com
W titgemeyer.at

Titgemeyer CZ spol. s r. o.
U Vodárny 1506
397 01 Písek / CZ

T +420 382 2067 - 25
E sales@titgemeyer.com
W titgemeyercz.cz

Titgemeyer Polska sp. z o.o.
Cypriana Bazylika 17
98-200 Sieradz / PL

T +48 (0) 43 828 20 - 15
E sales@titgemeyer.com
W titgemeyer.pl

Titgemeyer Skandinavien A/S
Lunikvej 32
2670 Greve / DK

T +45 4360 0966
E info@titgemeyer.dk
W titgemeyer.dk

Titgemeyer Skandinavien A/S
Box 3218
550 03 Jönköping / SE

T +46 36 128350
E info@titgemeyer.se
W titgemeyer.se

Titgemeyer Skandinavien A/S
Korkeakoulunkatu 7
33720 Tampere / FI

T +358 (0) 400 448 401
E info@titgemeyer.fi
W titgemeyer.fi

Titgemeyer Turkey Baglanti Teknolojileri San. ve Tic. A.S.
Barbaros Mah. Is Merkezi No.1
Kat: 8 D.58
34746 Atasehir, Istanbul / TUR

T +90 (0) 21 66 88 20 - 27
E sales@titgemeyer.com.tr
W titgemeyer.com.tr

Titgemeyer (UK) Limited
A2 Link One Industrial Park
George Henry Road
DY4 7BU Tipton / UK

T +44 (0) 1 21 5 57 97 - 77
E sales@titgemeyer.co.uk
W titgemeyer.co.uk

Production sites

Cirteq Limited
'Hayfield' Colne Road,
Glusburn, Keighley,
West Yorkshire, BD20 8QP

T +44 1535 633333
E sales@cirteq.com
W cirteq.com

Titgemeyer Tools & Automation spol s.r.o.
U Vodárny 1506
397 01 Písek / CZ

T +42 382 2067 - 11
E info@rivetec.cz
W rivetec.cz

RIEKO GmbH
Robert-Bosch-Straße 9
72124 Pliezhausen / DE

T +49 7127 9744 - 0
E info@rieko-web.com
W rieko-web.com

Titgemeyer GmbH & Co. KG Werk Lotte
Daimlerstraße 13 - 15
49504 Lotte / DE

T +49 5404 9666 - 0
E info@titgemeyer.com
W titgemeyer.com

TS Gesellschaft für Transport- und Sicherungssysteme mbH
Haßlinghauser Straße 156
58285 Gevelsberg / DE

T +49 541 5822 - 900
E ts@cargocontrol.de
W wir-sind-ladungssicherung.de