

Part No. 99-0144

TC 75

Riveting tool with proces control for installation of lockbolts and structural blind rivets

Scope of use:

| Type of rivet | SRB (Lockbolt) Standard | | SRB (Lockbolt) Multigrip | | Hucktainer Plus | Blind rivets |
|----------------|-------------------------|-------|--------------------------|-----|-----------------|--------------|
| | 5 | 6/6.4 | 5 | 6.4 | | |
| Ø of the rivet | 5 | 6/6.4 | 5 | 6.4 | 10 | 6.4* |
| Aluminium | ✓ | ✓ | ✓ | ✓ | | ✓ |
| Steel | ✓ | ✓ | ✓ | ✓ | | ✓ |
| Stainless | ✓ | ✓ | | | | ✓ |

*structural blind rivets: TIBULB, M-LOCK, MAGNA-BULB, HUCKLOCK etc.

Technical parameters:

| Model | TC 75 |
|----------------------|--------------------|
| Pulling Force | 22 kN / 6 bar |
| Working Stroke | 16 mm |
| Weight | 2.8 kg |
| Force / Weight Ratio | 10 kN/kg |
| Length | 306 mm |
| Height | 330 mm |
| Air Consumption | 2.8 litres / rivet |
| Working Air Pressure | 7 bar |
| Hose Connection | Ø 6 mm (G 1/4") |



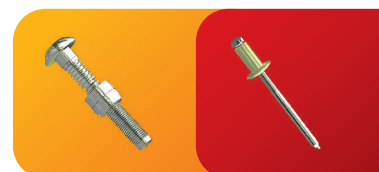
Description:

- integrated TC system which together with evaluation of the KRB unit ensures the perfect tool for monitoring and evaluation of the riveting process

TC system indicates:

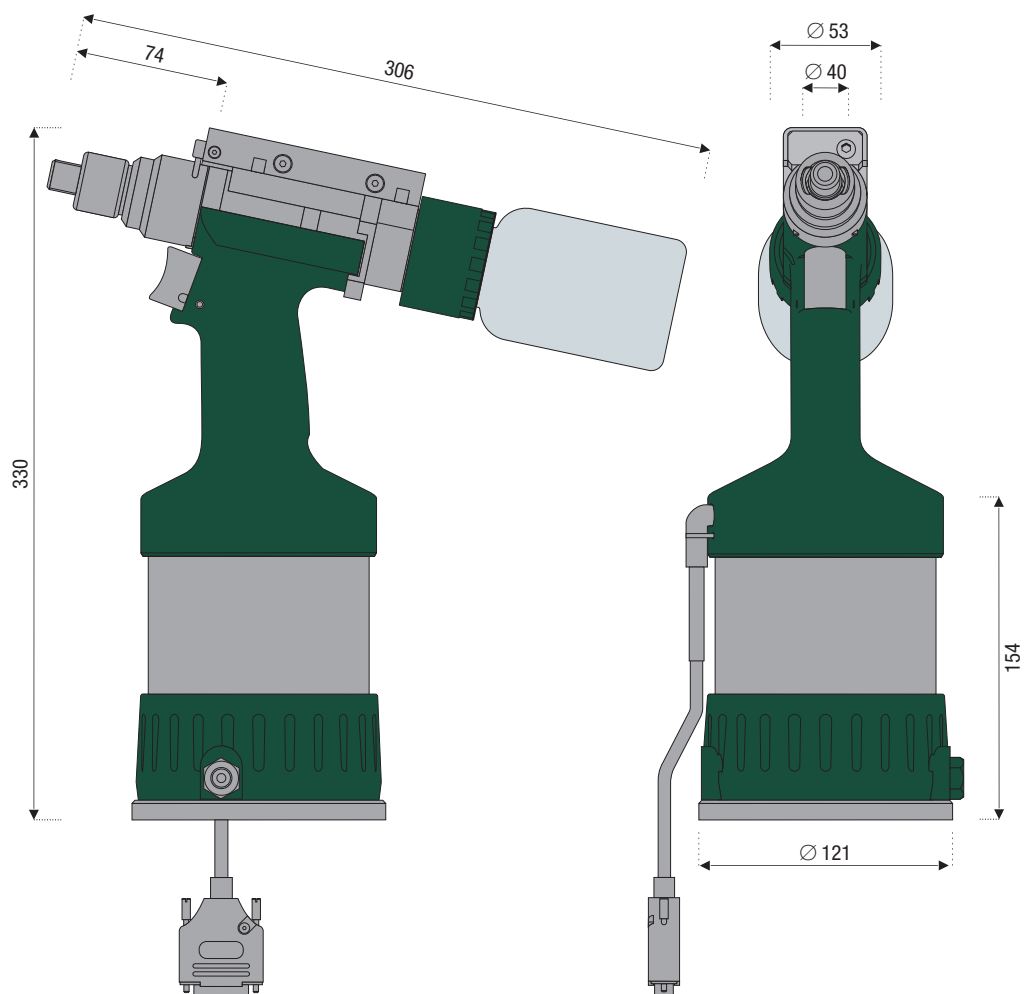
- Missing rivet
- Wrong type of rivet
- Damaged rivet
- Missing material
- Wrong setting of rivet
- Wrong alignment of material
- Damaged or defective equipment

- chip for automatic evaluation adjustment in evaluation unit
- high output and reliability verified in practice
- speed damper
- removable collecting container or rubber boot
- low noise
- simple operation
- ergonomic handle is comfortable to hold
- low transferred vibrations
- rotating air joint connection
- air intake can be moved to suit either left or right handed operator
- base cover prevents damage to workpiece
- balancer hook
- safety over-pressure dump valve
- non slip base



Dimensions of tool:

TC 75



Standard accessories:

| Description | Part No. |
|--------------------------|----------|
| Air Joint Assembly | 87-0281 |
| Kit for Refilling of Oil | 87-0187 |

Optional accessories:

| Description | Part No. |
|----------------------------------|----------|
| Hydraulic Oil for Tool - 1 Litre | 87-0188 |
| KRB 010 | 99-0147 |
| Connecting Cable 3 m | 87-0295 |