



Part No. 99-0126

# TC 60

Riveting tool with process control for installation of blind rivets from 4 to 8 mm

## Scope of use:

Ø of the rivet	3 / 3.2	4	4.8 / 5	6	6.4*	8
Aluminium, Copper, Brass		✓	✓	✓	✓	✓
Steel		✓	✓	✓	✓	
Stainless		✓	✓	✓	✓	

Nosepieces included:

	✓	✓	✓	✓	
--	---	---	---	---	--

\* structural rivets: TIBULB, M-LOCK, MAGNA-BULB, HUCKLOCK etc.

## Technical parameters:

Model	TC 60
Pulling Force	18.2 kN / 6 bar
Working Stroke	26 mm
Weight	3.4 kg
Force / Weight Ratio	7 kN/kg
Height	340 mm
Length	360 mm
Air Consumption	4.8 litres/rivet
Air Consumption / min	80 litres / min
Working Air Pressure	5-7 bar
Hose Connection	Ø 6 mm (G 1/4")

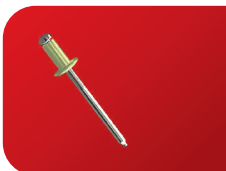
## Description:

- integrated TC system which together with evaluation of the KRB unit ensures the perfect tool for monitoring and evaluation of the riveting process

### TC system indicates:

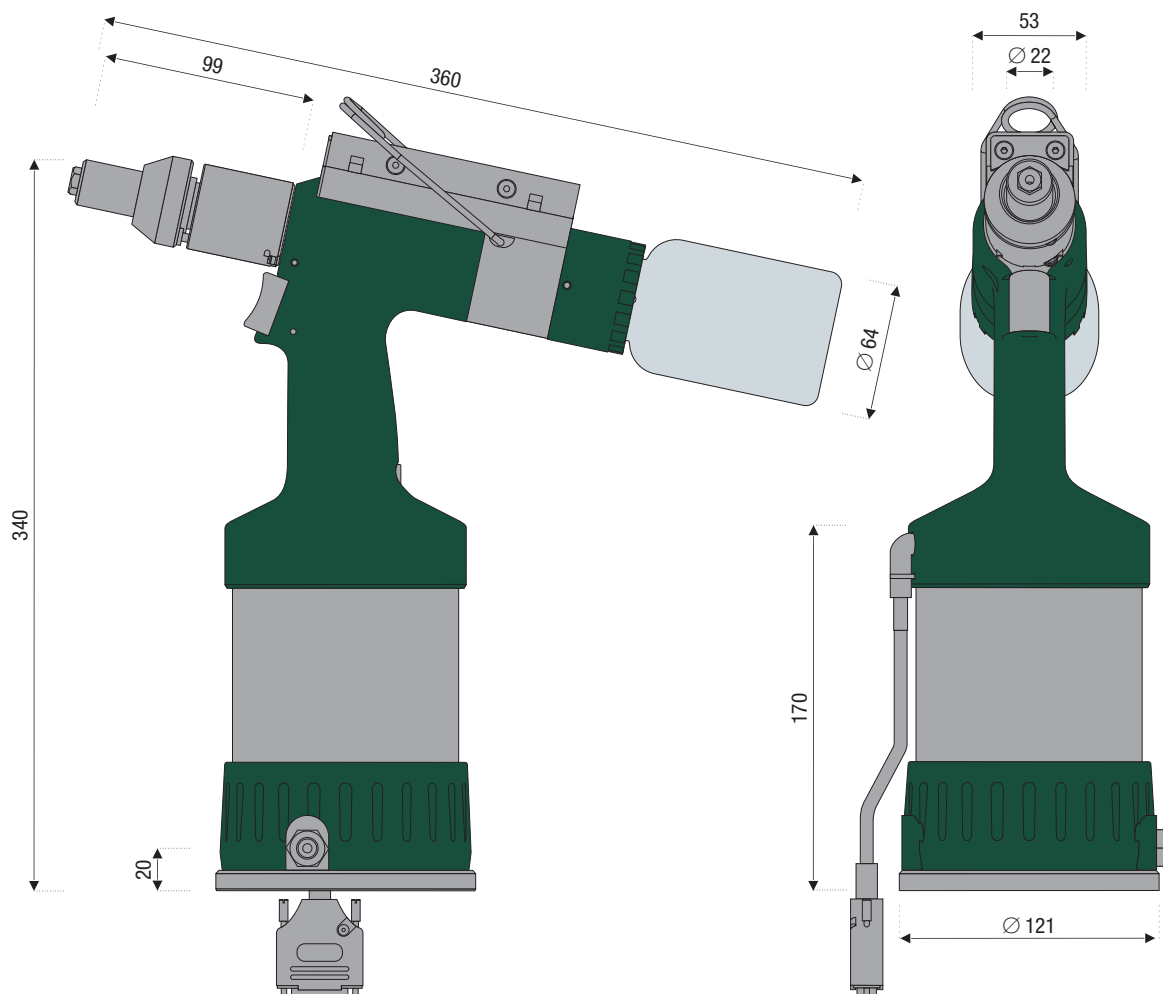
- Missing rivet
- Wrong type of rivet
- Damaged rivet
- Missing material
- Wrong setting of rivet
- Wrong alignment of material
- Damaged or defective equipment

- chip for automatic evaluation adjustment in evaluation unit
- high output
- high working stroke
- for structural and high strength rivets
- low noise
- simple operation, reliability
- ergonomic handle is comfortable to hold
- low transferred vibrations
- rotating air joint connection
- air intake can be moved to suit either left or right handed operator
- removable collecting container
- balancer hook
- spare nosepieces on the bottom of the tool
- safety over-pressure dump valve
- non slip base
- base cover prevents damage to workpiece



Dimensions of tool:

# TC 60



## Standard accessories:

Description	Part No.
Nosepiece 4	87-0022
Nosepiece 4.8/5	87-0023
Nosepiece 6	87-0024
Nosepiece 6.4	87-0025
Jaws Set	87-0051
Mandrel Collector	87-0287
Air Joint Assembly	87-0281
Kit for Refilling of Oil	87-0187

## Optional accessories:

Description	Part No.
Set for Structural Rivets with Grooved Mandrel	87-0195
Mandrel Collector Reinforced	87-0061
Connecting Cable 3 m	87-0295
Hydraulic Oil for Tool - 1 Litre	87-0188