

Part No. 99-0021

RL 20A

Hydropneumatic tool for installation of blind rivets from 2.4 to 5.0 mm

Scope of use:

Ø of the rivet	2.4	3 / 3.2	4	4.8 / 5	6	6.4
Aluminium, Copper, Brass	✓	✓	✓	✓		
Steel	✓	✓	✓	✓		
Stainless	✓	✓	✓	✓		

Nosepieces included:

	✓	✓	✓		
--	---	---	---	--	--

Technical parameters:

Model	RL 20A
Pulling Force	13 kN / 6 bar
Working Stroke	16 mm
Weight	1.6 kg
Force / Weight Ratio	8.12 kN/kg
Height	265 mm
Length	281 mm
Air Consumption	2 litres / rivet
Air Consumption / min	70 litres / min
Working Air Pressure	5–7 bar
Hose Connection	Ø 6 mm (G 1/4")



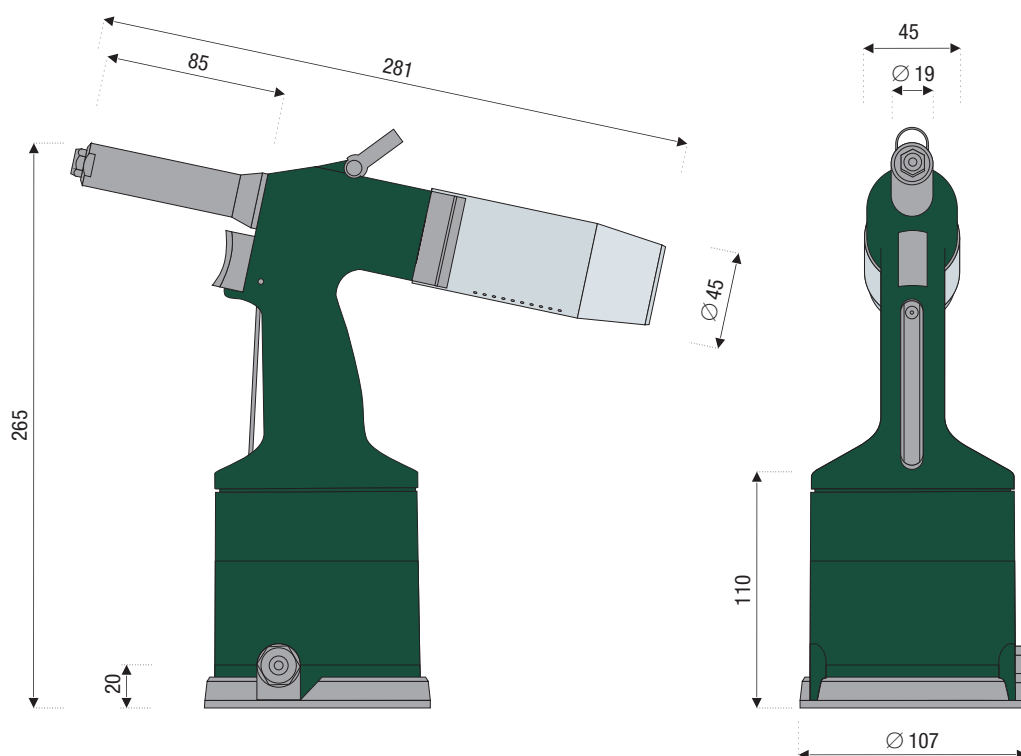
Description:

- unrivalled performance-to-weight ratio
- air automatically shut off when not in use - minimising air consumption and operating costs
- low noise
- low maintenance
- simple operation
- large range of additional equipment
- ergonomic handle is comfortable to hold
- low transferred vibrations
- rotating air joint connection
- air intake can be moved to suit either left or right handed operator
- quick release collecting container with adjustable air exhaust
- balancer hook
- spare nosepieces on the bottom of the tool
- safety mechanism prevents mandrels ejection when collecting container is removed
- safety over-pressure dump valve
- reliability verified in practice
- non slip base
- base cover prevents damage to workpiece



Dimensions of tool:

RL 20A



Standard accessories:

Description	Part No.
Nosepiece 2.4	87-0016
Nosepiece 3/3.2	87-0017
Nosepiece 4	87-0018
Nosepiece 4.8/5	87-0019
Jaws Set	87-0050
Mandrel Collector	87-0059
Air Joint Assembly	87-0281
Kit for Refilling of Oil	87-0187

Optional accessories:

Description	Part No.
Jaws Set for Stainless Rivets	87-0053
Extended 200 mm Front End	87-0190
Front End \varnothing 17 mm	87- 0191
Extended 200 mm Front End \varnothing 17 mm	87-0192
Hydraulic Oil for Tool – 1 Litre	87-0188